



RECHARGEABLE POOL VACUUM

USER MANUAL

ASPIRATEUR RECHARGEABLE SANS FIL

MANUEL D'EMPLOI

LIMPIAFONDOS RECARGABLE INALÁMBRICO

MANUAL DE USUARIO



By  **KOKIDO**[®]
Pool Product Innovations

YZAKI¹⁵

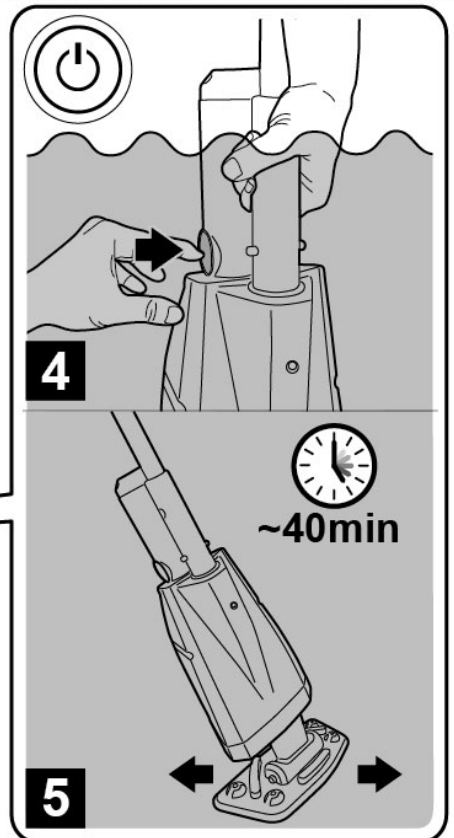
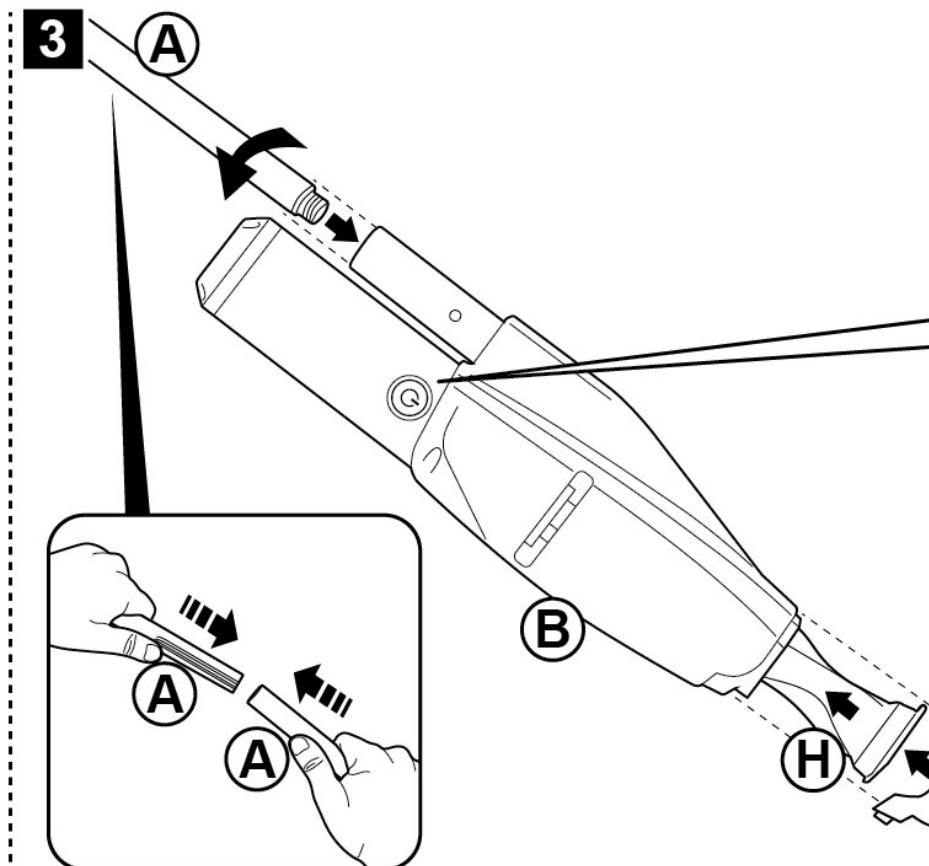
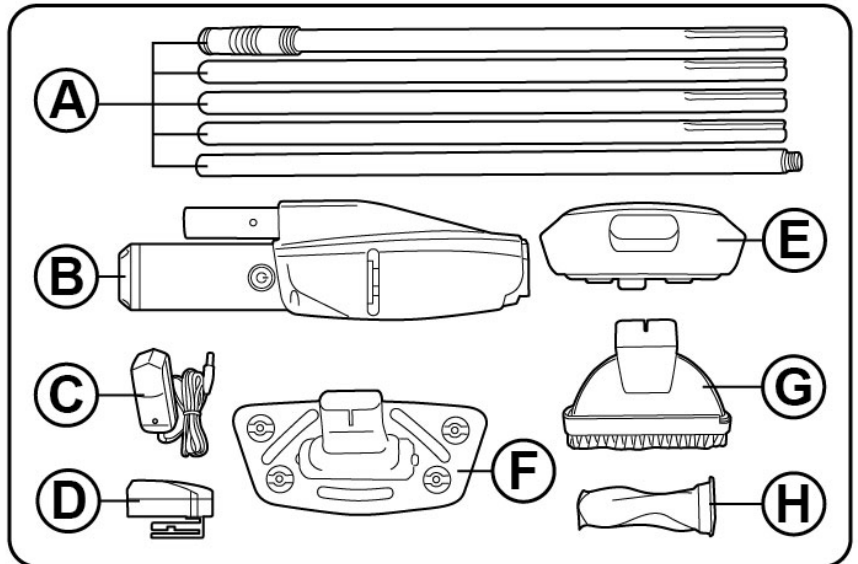
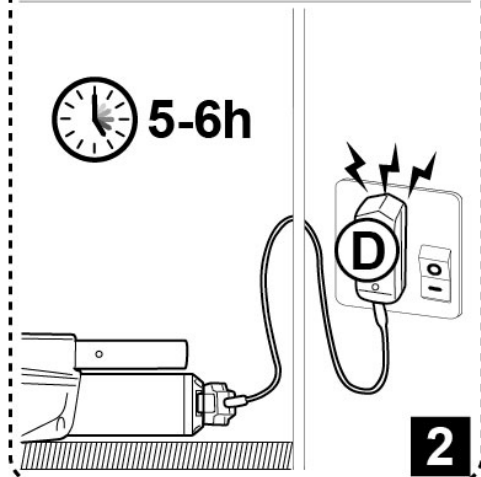
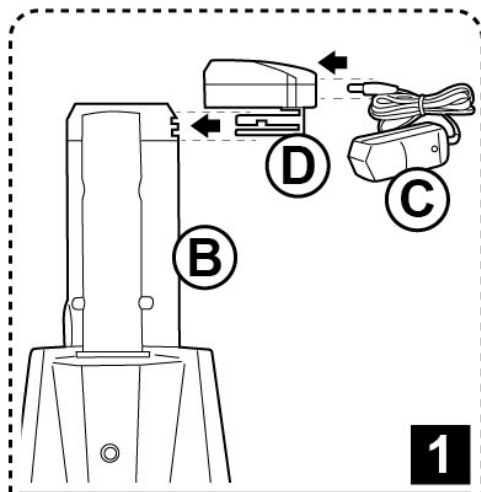


Table Of Contents

PARTS DIAGRAM	P.4
SAFETY WARNINGS & INSTRUCTIONS	P.5
GETTING STARTED	P.7
Charging The Battery	P.7
Set-Up Before Use	P.8
Suction head assembly	P.8
Pole connector assembly	P.9
Pole assembly	P.9
Telescopic pole (not included) assembly	P.10
OPERATION	P.10
EMPTYING THE FILTER	P.11
MAINTENANCE & STORAGE	P.12
BATTERY DISPOSAL	P.13
How to remove the battery pack	P.14
TROUBLESHOOTING	P.15

Remark: Product/parts photos in this manual are for demonstration only.
Product/parts in photos may vary with the model purchased.

Table des matières

DIAGRAMME DES PIÈCES	P.16
AVERTISSEMENTS DE SÉCURITÉ ET INSTRUCTIONS	P.17
DÉBUT DES OPÉRATIONS	P.19
Chargement de la batterie	P.19
Réglage avant l'utilisation	P.21
Assemblage de la tête d'aspiration	P.21
Montage du connecteur de manche	P.22
Montage du manche	P.22
Montage du manche télescopique (non inclus)	P.22
FONCTIONNEMENT	P.23
VIDER LE FILTRE	P.24
MAINTENANCE ET STOCKAGE	P.25
ÉLIMINATION DES BATTERIES	P.26
Comment retirer le bloc de batteries	P.27
REPÉRAGE DE PANNES	P.28

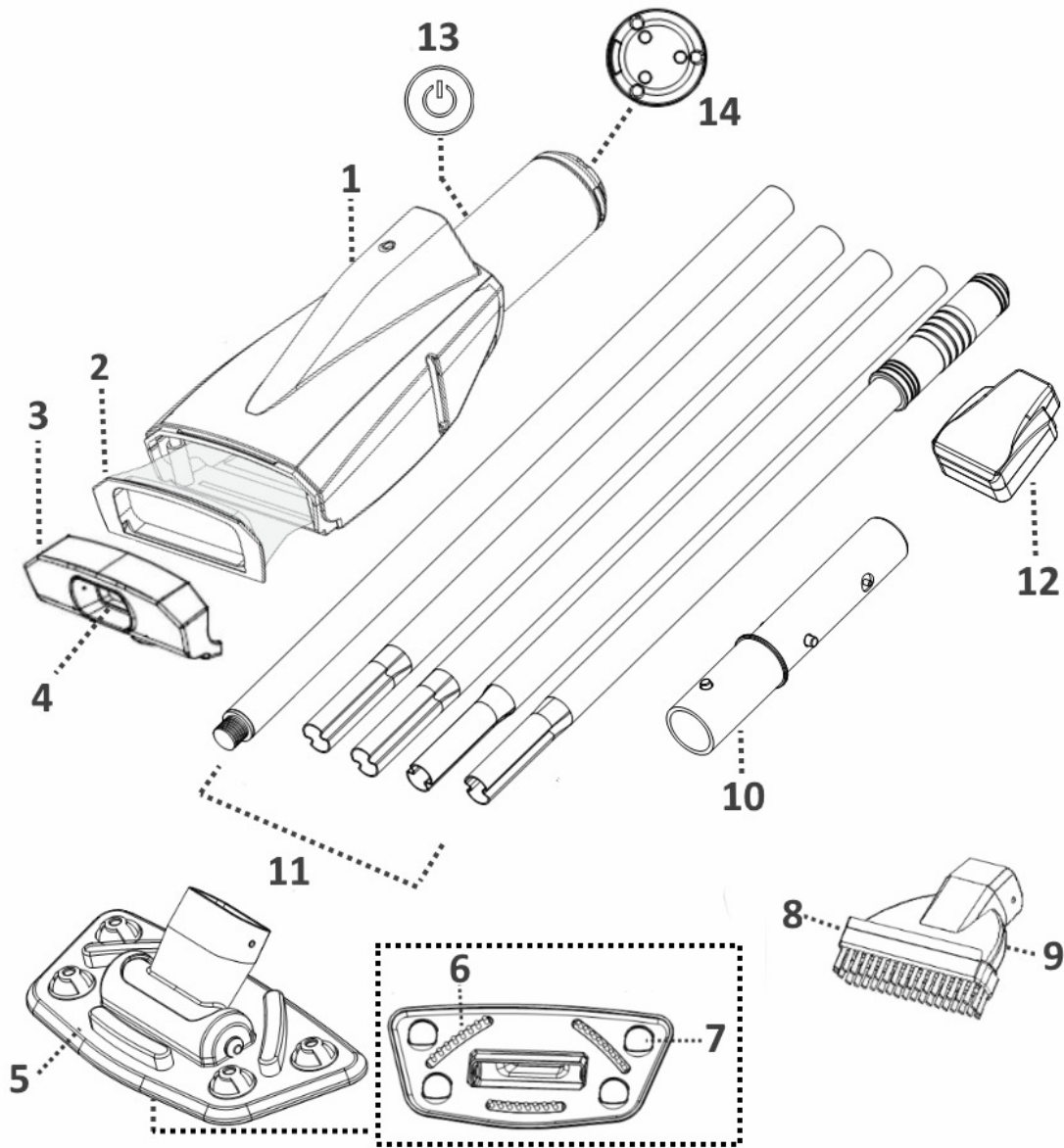
Remarque : Les photos du produit/des pièces dans ce manuel sont présentées uniquement à titre d'exemple. Le produit/les pièces peuvent varier selon le modèle acheté.

Indice

DIAGRAMA DE LAS PARTES	P.29
AVISOS E INSTRUCCIONES DE SEGURIDAD	P.30
PRIMEROS PASOS	P.32
Carga de la batería	P.32
Montaje previo al uso	P.34
Montaje del cabezal de succión	P.34
Montaje del conector de pértiga	P.34
Montaje de la pértiga	P.35
Montaje de la pértiga telescópica (no incluido)	P.35
FUNCIONAMIENTO	P.35
VACIADO DEL FILTRO	P.37
MANTENIMIENTO Y ALMACENAMIENTO	P.37
ELIMINACIÓN DE LA BATERÍA	P.38
Cómo retirar el paquete de baterías	P.39
RESOLUCIÓN DE PROBLEMAS	P.40

Observación: Las fotos de producto/piezas de este manual son sólo para demostración. Producto / piezas en las fotografías pueden variar según el modelo adquirido.

PARTS DIAGRAM



- | | |
|--------------------------|----------------------------|
| 1. Main body | 8. Sliding brush |
| 2. Filter bag | 9. Flat suction nozzle |
| 3. Front cover | 10. Pole connector |
| 4. Nozzle flap | 11. Pole sections |
| 5. Pivoting suction head | 12. Charger base |
| 6. Brush | 13. Power ON/OFF button |
| 7. Ball wheels | 14. Charging contact plate |

Battery: Rechargeable Li-ion battery pack, 2000mAH, 7.4V, 14.8Wh

Charging voltage : 8.4V DC, 1.0 A ; Motor: 7.2V DC

SAFETY WARNINGS & INSTRUCTIONS

Read and follow all instructions in this manual and on the equipment. Failure to do so could result in severe or fatal injuries.

WARNING!

- This is not a TOY. Children should be kept out of reach from this pool vacuum and its accessories.
- Never allow children to operate this product.
- This pool vacuum is not intended for use by someone with reduced physical, sensory or mental capabilities, or a lack of experience and knowledge unless they have been given instructions concerning the appliance and are under supervision of the person responsible for their safety.
- Make sure the pool vacuum is fully immersed in the water before operation. The minimum water level required to operate the device must reach above the power button of the pool vacuum when it is held in a vertical position. Operating the pool vacuum when it is not immersed in the water correctly could damage the unit and void the warranty as a result.
- Maximum operating depth in water is 2 meters (6.5 ft).
- Maximum water temperature: 5°C (41°F) – 35°C (95°F)
- DO NOT use power extension cords.
- Connect the external adaptor to a power source through a residual current device (RCD). If in doubt, consult a qualified professional electrician.
- Do not use this pool vacuum if any damage is detected.
- Replace damaged parts as soon as possible. Only use parts certified by the distributor or manufacturer.
- Turn off the power, disconnect the external adaptor from the power source, and unplug the external adaptor from the charging base before detaching the pool vacuum from the charging base.
- Disconnect the pool vacuum from the supply mains prior to carrying out user maintenance such as cleaning the filter.
- Detach the pool vacuum from the charging base and make sure the pool vacuum is OFF before servicing the product.
- Battery installed is a rechargeable Li-ion battery pack. Never attempt to replace the battery pack.
- The pool vacuum is only to be used with the external adaptor delivered with this product.
- You should not operate this pool vacuum when people/pets are present in the water.
- DO NOT use this pool vacuum without an intact filter bag in place, as your warranty will be voided as a result.
- Suction entrapment hazard: This pool vacuum generates suction. Do not allow hair, body, or any loose parts of your clothing to make contact with the suction hole of the pool vacuum during its operation.
- Never insert body parts, clothing or other objects into the openings and moving parts of the pool vacuum.
- DO NOT use this pool vacuum to pick up any toxic substance, flammable or combustible liquids such as gasoline, or in the presence of explosive or flammable fumes.

- Never attempt in any way to disassemble this pool vacuum.
- Under no circumstances should you attempt to disassemble the pool vacuum and replace the impeller, motor, and battery by yourself.
- Never insert any object to touch the impeller.

- External adaptor and charging base:
 - For indoor use only.
 - Never use the external adaptor and charging base for anything other than charging the battery of the pool vacuum that is supplied in the same pack.
 - The external adaptor and charging base should not be used outdoors, nor exposed to rain, humidity, any liquid or heat.
 - Keep the external adaptor and charging base out of reach of children.
 - Never use the external adaptor and charging base if any damage is detected.
 - DO NOT handle the external adaptor and charging base with wet hands.
 - DO NOT handle the pool vacuum, external adaptor, and charging base while charging with wet hands and without shoes.
 - Keep the external adaptor disconnected from power when it is not in use.
 - Never attempt to open the external adaptor and charging base.
 - If the supply cord is damaged, it must be replaced by the manufacturer, its service agent or an equally-qualified person in order to prevent hazards of any kind.
 - Make sure the pool vacuum and the charging base are completely dry before charging.

CAUTION!

- This pool vacuum is designed for underwater use only; it is not an all-purpose vacuum cleaner. DO NOT attempt to use it to clean anything other than your pool / spa.
- Use only original accessories delivered with this product.
- DO NOT use this pool vacuum right after pool-shocking. It is recommended to leave the pool circulating for at least 24-48 hours.
- It is not recommended to use this pool vacuum with another pool vacuum/cleaner simultaneously.
- Avoid picking up hard, sharp objects with this product. They may damage the pool vacuum and filter.
- Exercise caution when cleaning pool stairs.
- Only use the charging base for its intended purpose as outlined in this manual.
- To avoid damaging the external adaptor and the cord, do not carry the pool vacuum by the cord or pull the cord to disconnect it from the power source and product.
- Charge the pool vacuum indoor in a clean, dry area with good ventilation and an ambient temperature between 5°C(41°F) and 35°C(95°F)
- DO NOT leave the pool vacuum charged for over 20 hours.
- If the pool vacuum will not be used for an extended period, detach it from the charging base and use a damp cloth to clean and dry the pool vacuum and accessories. Make sure to charge the pool vacuum completely before it is stored. Store in a well-ventilated area away from sunlight, heat, ignition sources, pool chemicals, and children. Never

leave the pool vacuum plugged in for long-term storage. Recharge the pool vacuum every three months.

Above warnings and cautions are not intended to incorporate all possible instances for risks and / or severe injuries. Pool / spa owners should always exercise extra caution and common sense when utilizing the product.

GETTING STARTED

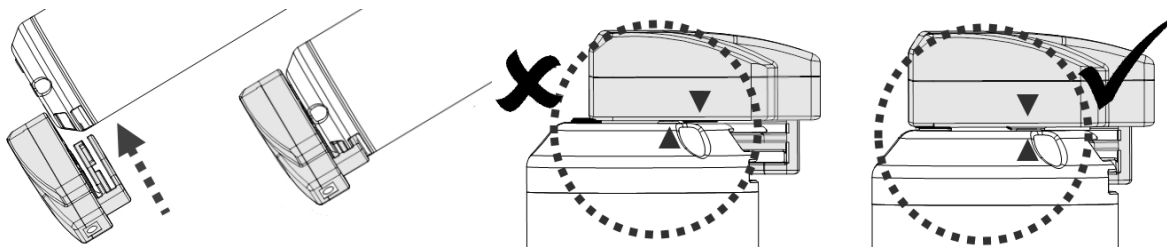
IMPORTANT NOTE: Fully charge the pool vacuum before using it for the first time.

Charging the battery

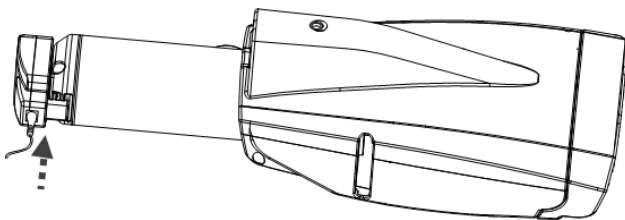
WARNING!

- Charging must be done indoors, in a well-ventilated area away from sunlight, children, heat, ignition sources, and with an ambient temperature between 5°C (41°F) and 35°C (95°F)..
- Never use the external adaptor and charging base if any damage is detected.
- Use only the original external adaptor provided.
- Make sure the pool vacuum and the charging base are clean and dry before set-up.

1. Place the unit on a flat surface. Insert and slide the hook of the charging base into the notch on the end of the main body unit it stops. Make sure the contact plates are properly in contact.



2. Plug the female jack of the external adaptor into the charging port at the end of the charging base.



WARNING!

- DO NOT handle the pool vacuum, external adaptor and charging base while it is charging with wet hands and without shoes.

- Connect the external adaptor to the power source through a residual current device (RCD).
- Charge the pool vacuum with the original external adaptor provided.
- DO NOT use power extension cords.
- Fully charge the battery before first use.
- Charging must be done indoors, in a dry & well-ventilated area away from sunlight, children, heat, ignition sources, and with an ambient temperature between 5°C (41°F) and 35°C (95°F).
- Always disconnect the external adaptor from the power source when charging is complete.
- Do not leave the pool vacuum in charge for over 20 hours.
- Immediately turn the power off and disconnect the external adaptor from the power source if you detect any of the following conditions:
 - Offensive or unusual odor
 - Excessive heat
 - Deformation, cracks, leaks
 - Smoke

1. Make sure that the pool vacuum is turned off prior to charging.

2. Connect the external adaptor to the power source. Once the pool vacuum begins charging, the indicator light on the external adaptor will turn red. Normally, it takes about 4- 5 hours to reach a full charge. The indicator light will turn green when the pool vacuum is almost fully charged.

Note: If the motor is generating noise, immediately turn off the device by pressing the ON/OFF button. Otherwise, it could potentially lead to failure of the shaft seals / motor, and the warranty will be voided as a result.

Note: Charge the pool vacuum completely (about 4-5 hours) prior to the first use.

3. When charging is complete, disconnect the external adaptor from the power source and unplug the jack from the charging base.

4. Detach the charger base from the pool vacuum.

Normally, the pool vacuum can be operated up to 40 minutes on a full charge (charged for 4-5 hours)

Note: Clean the filter regularly. Too much debris inside the filter will increase burden to the motor operation and then shorten the operating duration.

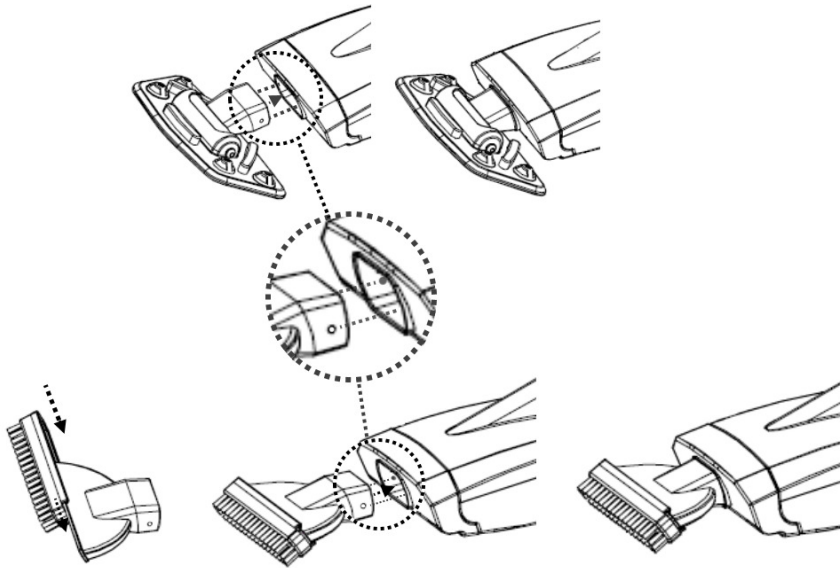
FACT: Rechargeable lithium-Ion battery is classified as a consumable item. It has a limited life and will gradually lose its capacity to hold a charge. Therefore, running time of the pool vacuum will gradually reduce through repeated charging and discharging in operation.

NOTE: Let the pool vacuum rest for 30 to 40 minutes before charging it again.

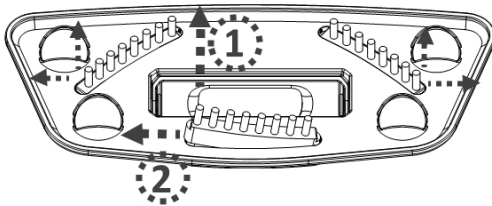
Set-Up Before Use

Suction head assembly

Insert the suction head directly into the suction mouth of the pool vacuum until the side tabs of the suction mouth clip in the holes of the suction head's pivot.



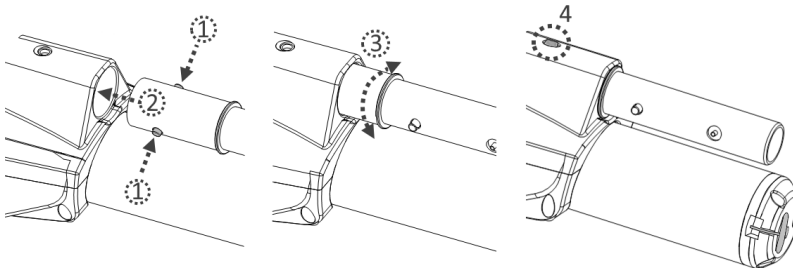
NOTE: To replace the brushes on the suction head, lift one end and pull the brush out to make space for a new one.



WARNING! For vinyl liner and fibreglass pools, it is recommended to keep the brushes on the suction head to avoid damaging the pool.

Pole connector assembly

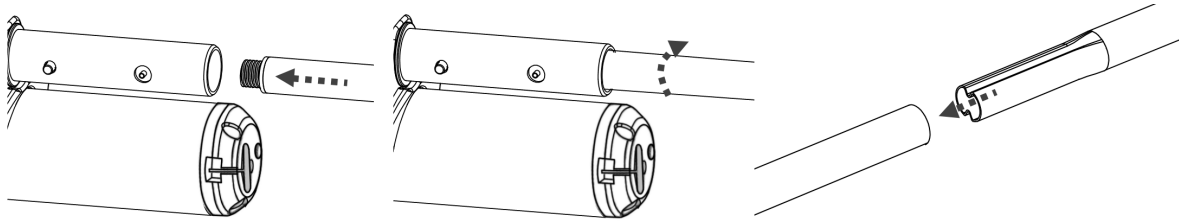
Press down the side pins of the connector and insert it inside the main body. Turn the connector in either direction until the pin is secured in the hole, as shown in the diagram.



Pole assembly

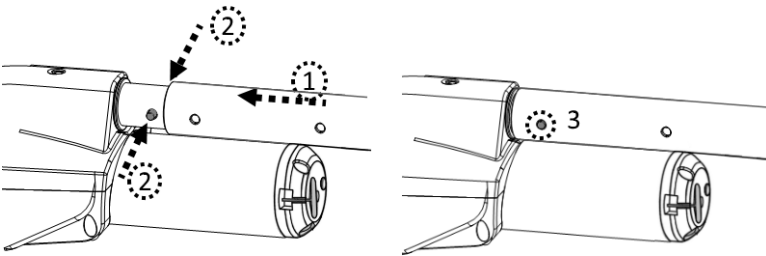
Select the tube section with a threaded tip at the end. Insert and the threaded tip of the pole section inside the pole connector and turn it clockwise to screw it inside. Finish the assembly by inserting the grooved ends of the following section tubes in

the round ends of the remaining section tubes. The section with the grip is the last section to be assembled.



Telescopic pole assembly

Note: V-clip is installed inside the pole connector for the purpose of securing the telescopic pole (not included) in position. Slide the telescopic pole onto the pole connector. Press on the side pins of the connector and slide the telescopic pole further until the pins are secured inside the holes of the pole.



To release the telescopic pole, press down the side tabs simultaneously and pull out the pole.

OPERATION

WARNING!

- Do not use the pool vacuum if any damage is detected.
- Oil stain could occur due to possible leakage of lubricants applied to the O-ring.
- Do not operate this pool vacuum if there are people/pets present in the water.
- Make sure the pool vacuum is fully immersed in the water before initiating operation. The minimum water level required to operate the device must reach above the power button of the pool vacuum when it is held in a vertical position. Operating the pool vacuum when not immersed in the water correctly can damage the unit and the warranty will be voided as a result.
- Maximum operating depth in water is 2 meters (6.5 ft).
- Maximum water temperature: 5°C (41°F) – 35°C (95°F)
- DO NOT use the pool vacuum without an intact filter bag in place. Using your pool vacuum without an intact filter bag in place will VOID your warranty.
- Suction entrapment hazard: This pool vacuum generates suction. Do not allow hair, body or any loose parts of your clothing to make contact with the suction mouth of

the pool vacuum during its operation.

- Never insert body parts, clothing or other objects into the openings and moving parts.
- DO NOT use this pool vacuum to pick up any toxic substance, flammable or combustible liquids such as gasoline, or operate in the presence of explosive or flammable fumes.
- DO NOT cover the side slot of the cleaner body during operation. The impeller/motor may be damaged as a result.
- Never insert any object to touch the impeller.

CAUTION

- Use only original accessories delivered with this product.
- DO NOT use this pool vacuum immediately after pool-shocking. It is recommended to leave the pool circulating for at least 24-48 hours.
- It is not recommended to use this pool vacuum with another pool vacuum/cleaner simultaneously.
- DO NOT leave the pool vacuum in the water when it is not in use or when battery is low as water leakage may occur.

1) Bring your pool vacuum to the side of your pool / spa. Immerse the pool vacuum in water and press the power button to initiate operation.

CAUTION! Make sure the pool vacuum is always facing downwards when it is placed into the pool. Otherwise it may bend the pole connector and damage it during the process.

2) To remove the pool vacuum from the pool / spa, lift the pool vacuum while pointing it downwards in order to allow water to escape from the outlet valve. Water is going to escape via the handle / pole connector and draining holes inside the handle chamber on the rear body.

CAUTION! Make sure the pool vacuum is always facing downwards when it is removed from the pool. Otherwise, the pole connector may be bent and damage the pool vacuum in the process.

3) Rinse the pool vacuum with fresh water after every use. DO NOT use any detergent.

EMPTYING THE FILTER

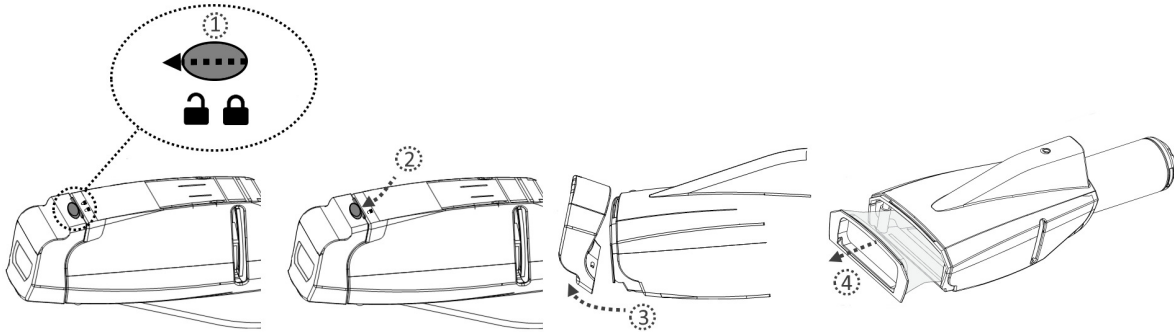
WARNING! Using the pool vacuum without a filter bag in place will VOID your warranty.

In order to maximize the cleaning efficiency, be sure to clean the filter bag before and after each use.

CAUTION! If the pool vacuum is charging, disconnect the external adaptor from the power source and detach the pool vacuum from the charger base.

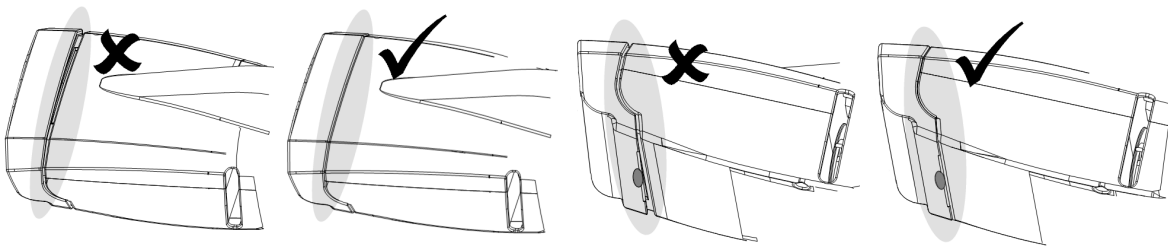
- Emptying filter bag

1. Unlock and unclip the front cover and remove the filter bag



CAUTION! Replace the damaged filter bag immediately before the next operation.

2. Empty and clean the filter bag.
3. Re-assembled the filter bag and then front cover leaving no gap.



MAINTENANCE & STORAGE

NOTE:

1. Battery discharges on its own during storage. Make sure to fully-charge the pool vacuum before storage.
2. You must re-charge the battery at least once every three months when it is not in use.
 - Unplug the external adaptor from socket and then unplug the adapter jack from the charging base.
 - Detach accessories from the pool vacuum. If necessary, rinse the pool vacuum and accessories with fresh water. DO NOT use detergent.
 - Make sure to drain the water from the unit, handle and pole connector.
 - Use a damp cloth to clean and dry the pool vacuum and its accessories.
 - Store them in a well-ventilated area away from the sunlight, children, heat, ignition sources, and pool chemicals. Ambient temperature for storage should be 10°C – 25°C (50°F – 77°F). NOTE: A higher temperature may reduce the battery life during storage.

WARNING!

- Never attempt in any way to disassemble the pool vacuum.
- Under no circumstances should you attempt to disassemble the pool vacuum and replace the impeller, motor and battery by yourself.

CAUTION!

- Excessive heat can damage the battery and reduce its lifespan as a result.
- The battery supplied with your pool vacuum lasts for about 300 charging cycles (with proper charging and operation). Replace your pool vacuum with a new battery if the following happens. Consult your dealer regarding battery replacement.
 - Battery appears damaged or will not charge fully.
 - Battery operation time is noticeably reduced. Observe and note down the run times of operation of the first few times (on a full charge). Use these run times as a reference point to compare run times with older batteries.
- The battery must be removed from the pool vacuum before it is scrapped.
- The pool vacuum must be disconnected from the supply mains when removing the battery
- The battery is to be disposed safely and according to local ordinances or regulations.

NOTE: Incorrect maintenance may reduce the battery life and affect its capacity as a result.

BATTERY DISPOSAL

Your pool vacuum battery is a maintenance-free rechargeable lithium-ion battery pack, which must be disposed properly. Recycling is required; please contact your local authority for information.

WARNING!

Never attempt to disassemble a battery pack

- Remove all personal items such as rings, bracelets, necklaces and watches when the battery pack is unwired from the pool vacuum.
- A battery can produce a short circuit current high enough to weld a ring (or similar item) to metal, causing a severe burn in the process.
- Wear complete eye protection, gloves and protective clothing when the battery pack is being removed.
- Avoid touching the wires altogether and avoid allowing them to make contact with any metal items, which could cause sparking and/or short circuit the battery.
- Never smoke or allow a spark or flame in the vicinity of the battery or the pool vacuum.
- Do not expose the battery to fire or intense heat as this may result in an explosion.

CAUTION!

If a battery leak occurs, avoid contact with the leaking fluids and place the damaged battery in a plastic bag.

- If leaking fluids come in contact with skin and clothing, wash immediately with plenty of soap and water.
- If leaking fluids come in contact with eyes, immediately flush eyes with cool running water for at least 15 minutes and do not rub them. Seek medical attention as soon as possible.

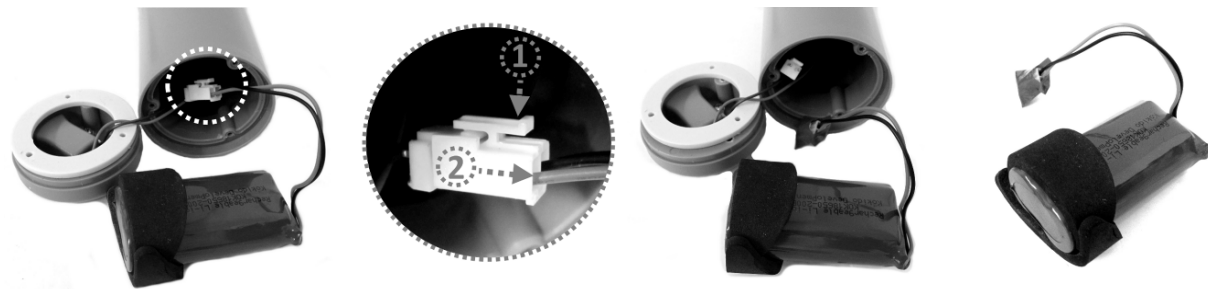
How to remove the battery pack

Recommended tools (not included): Philips screwdriver

1. Use the screwdriver to unscrew 3 screws on the rear plate and then detach it from the body. Pull out the battery pack to gain access to the battery pack connector.





2. To detach the battery pack, press the clip on the connector and pull it out. **NOTE:** Wrap the connector immediately with insulating tape in order to avoid short circuit caused by contact of both wire terminals.



TROUBLESHOOTING

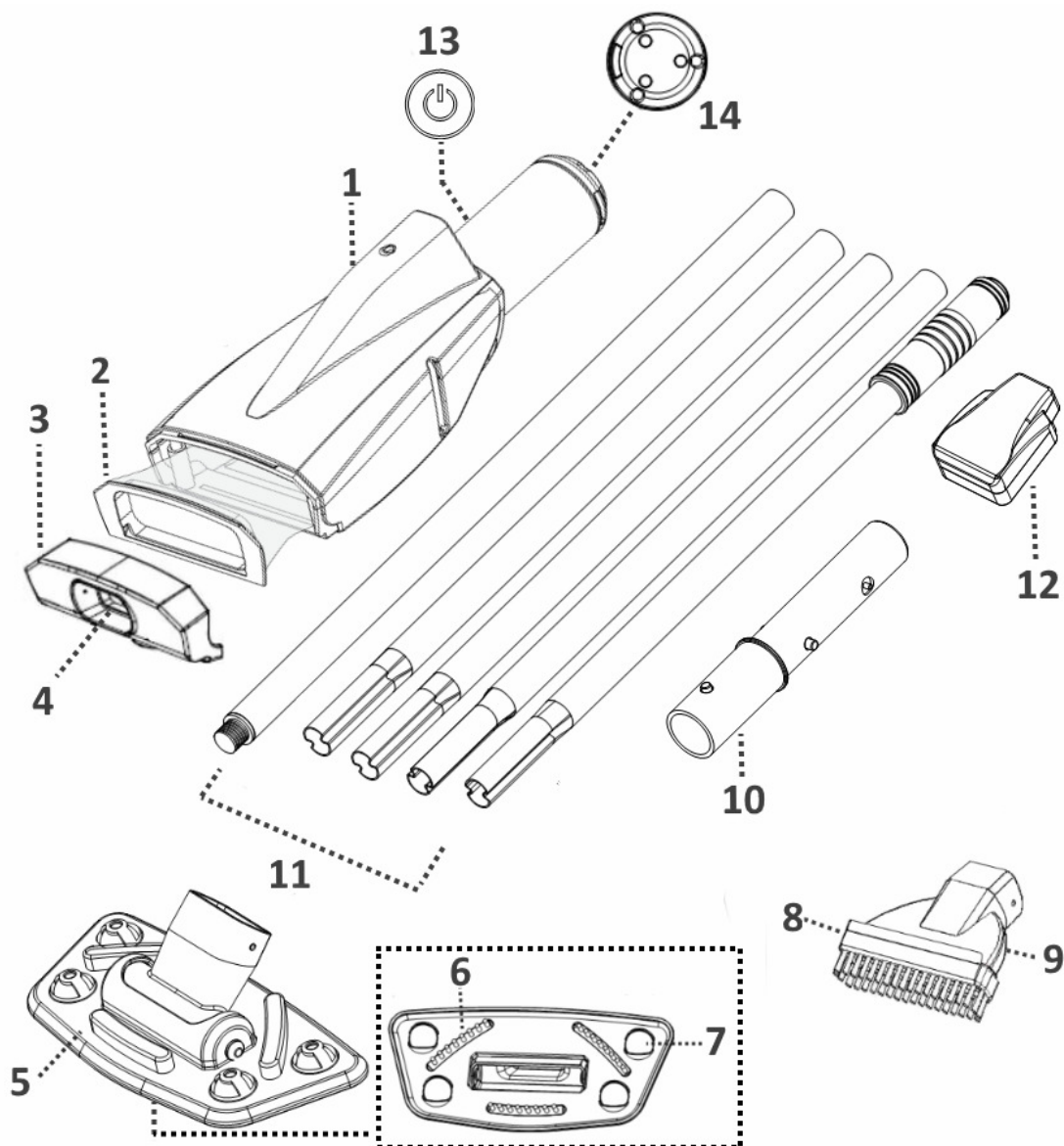
Problem	Possible Cause	Solution
Pool vacuum does not capture the debris	Battery is running out	Charge the battery again.
	Impeller is jammed	Power off the pool vacuum and visually check the gap in middle of the pool vacuum to see if the impeller is jammed by larger debris. If possible, use a small tool to remove it with intensive care & caution. If necessary, contact your dealer for further instructions. WARNING! Make sure the pool vacuum is powered off when the unit is being serviced.
	Impeller is broken	Contact your dealer for impeller replacement.
	Filter is full	Clean the filter
Debris escapes from the filter	Suction nozzle flap is broken	Suction nozzle flap works like a door to prevent the debris from escaping from the filter. Contact dealer for replacement part and instruction.
Debris goes outside the filter bag	Filter bag is damaged.	Replace with a new filter bag.
Pole connector cannot be secured in assembly	Side pin is broken	Replace with a new pole connector.
Pool vacuum cannot be charged / recharged	Battery is damaged	Contact dealer for battery replacement. WARNING! DO NOT open the pool vacuum and replace the battery by yourself. This could result in severe or fatal injury and the warranty will be voided as a result.
	Contact plates of the charger base and unit are not connected.	Make sure that the charger base is assembled on the unit properly so that their contact plates are touching.
	External adaptor is out of order	Contact dealer for replacement. WARNING! Using the wrong external adaptor will result in damaging the pool vacuum / battery and voiding the warranty as a result.
Pool vacuum does not move smoothly	Ball-wheel is jammed	Push the ball wheel out of the cavity by inserting a small tool into the small hole at the top of the cavity. Clean it out and push it back into the cavity after cleaning.

Environmental Programmes, WEEE European Directive

	<p>Please respect the European Union regulations and help to protect the environment. Return non-working electrical equipment to a facility appointed by your municipality that properly recycles electrical and electronic equipment. Do not dispose them in unsorted waste bins. For items containing removable batteries, remove batteries before disposing of the product.</p>
	<p>© 2017 Kokido Development Ltd. 17008021 All rights reserved. No part of this document may be reproduced or transmitted in any form or by any means, electronic, mechanical, photocopying, recording, or otherwise, without prior written permission of Kokido Development Ltd. (V1)</p>

If soft copy of this instruction manual is required, please contact our customer service by email: customerservice@kokido.com

DIAGRAMME DES PIÈCES



- | | |
|--------------------------------|-----------------------------|
| 1. Corps principal | 8. Brosse coulissante |
| 2. Sac filtrant | 9. Embout d'aspiration plat |
| 3. Couvercle avant | 10. Connecteur de manche |
| 4. Bouche d'aspiration | 11. Sections du manche |
| 5. Tête d'aspiration pivotante | 12. Base de chargeur |
| 6. Brosse | 13. Bouton marche/arrêt |
| 7. Roues billes | 14. Plot de chargement |

Batterie : Bloc de batteries à lithium rechargeable, 2000mAH, 7.4V, 14,8Wh
 Tension de charge : 8.4V CC, 1,0 A ; Moteur : 7,2V CC

AVERTISSEMENTS DE SÉCURITÉ ET INSTRUCTIONS

Lire et suivre toutes les instructions figurant dans ce manuel et sur l'équipement. Ne pas le faire pourrait donner lieu à des blessures graves ou mortelles.

AVERTISSEMENT !

- Ceci n'est pas un JOUET. Les enfants doivent être tenus hors de la portée de cet aspirateur de piscine et de ses accessoires.
- Ne jamais permettre aux enfants de faire fonctionner ce produit.
- Cet aspirateur de piscine n'est pas prévu pour être utilisé par quelqu'un avec ses capacités physiques, sensorielles ou mentales diminués, ou un manque d'expérience et de connaissances à moins d'avoir reçu des instructions déterminées relatives à l'appareil et sous la supervision de la personne responsable de leur sécurité.
- S'assurer que l'aspirateur de piscine est totalement immergé dans l'eau avant l'exécution du travail. Le niveau d'eau minimum requis pour faire fonctionner le dispositif doit dépasser le bouton d'alimentation de l'aspirateur de piscine lorsqu'il est tenu dans une position verticale. Faire fonctionner l'aspirateur de piscine lorsqu'il n'est pas immergé correctement dans l'eau peut endommager l'unité et annuler de ce fait la garantie.
- La profondeur maximale de fonctionnement dans l'eau est de 2 mètres (6.5 pieds).
- Température maximale de l'eau : 5°C (41°F)– 35°C (95°F)
- Ne pas utiliser de rallonges de câble électrique.
- Brancher l'adaptateur externe à une source d'alimentation à travers un dispositif (à courant) différentiel résiduel (DDR). En cas de doute, consulter un électricien professionnel qualifié.
- Ne pas utiliser cet aspirateur de piscine si un dommage quelconque est détecté.
- Remplacer les pièces endommagées le plus rapidement possible. N'utiliser que des pièces certifiées par le distributeur ou le fabricant.
- Mettre hors tension, débrancher l'adaptateur externe de la source d'alimentation, et débrancher l'adaptateur externe de la base de chargement avant de séparer l'aspirateur de piscine de la base de chargement.
- Débrancher l'aspirateur de piscine de l'alimentation principale avant de réaliser la maintenance d'utilisateur telle que le nettoyage du filtre.
- Retirer l'aspirateur de piscine de la base de chargement et s'assurer que l'aspirateur de piscine est hors tension avant la mise en service du produit.
- La batterie installée est un bloc de batteries rechargeables au lithium. Ne jamais tenter de remplacer le bloc de batteries.
- L'aspirateur de piscine ne doit être utilisé qu'avec l'adaptateur externe livré avec ce produit.
- Vous ne devez pas faire fonctionner cet aspirateur de piscine lorsque des personnes/animaux de compagnie sont présents dans l'eau.
- Ne pas utiliser cet aspirateur de piscine sans sac filtrant en place, car votre garantie serait annulée de ce fait.
- Danger de piégeage de l'aspiration : Cet aspirateur de piscine produit une aspiration. Ne pas permettre que les cheveux, le corps, ou toutes parties lâches de vos vêtements entrent en contact avec l'orifice d'aspiration de l'aspirateur de piscine pendant son fonctionnement.

- Ne jamais introduire des parties du corps, vêtements ou autres objets dans les ouvertures et pièces mobiles de l'aspirateur de piscine.
- Ne pas utiliser cet aspirateur de piscine pour ramasser toute substance toxique, des liquides inflammables ou combustibles tels que l'essence, ou en présence de fumées explosives ou inflammables.
- Ne jamais tenter de démonter d'une quelconque façon cet aspirateur de piscine.
- En aucun cas, vous ne devrez tenter de démonter l'aspirateur de piscine et de remplacer la turbine, le moteur, et la batterie de par vous-même.
- Ne jamais introduire un quelconque objet qui toucherait la turbine.

- Adaptateur externe et base de chargement :
 - À utiliser uniquement à l'intérieur.
 - Ne jamais utiliser l'adaptateur externe et la base de chargement pour tout autre chose que le chargement de la batterie de l'aspirateur de piscine qui est fournie dans le même bloc.
 - L'adaptateur externe et la base de chargement ne doivent pas être utilisés à l'extérieur, ni exposés à la pluie, à l'humidité, à un quelconque liquide ou à la chaleur.
 - Maintenir l'adaptateur externe et la base de chargement hors de la portée des enfants.
 - Ne jamais utiliser l'adaptateur externe et la base de chargement si un dommage quelconque est détecté.
 - NE PAS manipuler l'adaptateur externe et la base de chargement avec des mains humides.
 - NE PAS manipuler l'aspirateur de piscine, l'adaptateur externe, et la base de chargement pendant la charge avec des mains humides et sans chaussures.
 - Maintenir l'adaptateur externe débranché du courant lorsqu'il n'est pas utilisé.
 - Ne jamais tenter d'ouvrir l'adaptateur externe et la base de chargement.
 - Si le cordon d'alimentation est endommagé, il doit être remplacé par le fabricant, son agent de service ou une personne également qualifiée afin de prévenir des dangers de tout type.
 - S'assurer que l'aspirateur de piscine et la base de chargement sont complètement secs avant de charger.

MISE EN GARDE !

- Cet aspirateur de piscine est uniquement conçu pour une utilisation sous l'eau ; il ne s'agit pas d'un aspirateur tout usage. NE PAS tenter de l'utiliser pour nettoyer tout autre chose que votre piscine / spa.
- Utiliser uniquement les accessoires originaux livrés avec ce produit.
- Ne pas utiliser cet aspirateur de piscine juste après le nettoyage chimique de la piscine. Il est recommandé de laisser circuler l'eau dans la piscine durant au moins 24-48 heures.
- Il n'est pas recommandé d'utiliser cet aspirateur de piscine avec un autre aspirateur de piscine/épuration simultanément.
- Éviter de ramasser des objets durs ou pointus avec ce produit. Ils peuvent endommager l'aspirateur de piscine et le filtre.
- Prendre des précautions lors du nettoyage des marches de la piscine.
- N'utiliser la base de chargement que pour le but prévu, tel que décrit dans ce manuel.

- Pour éviter d'endommager l'adaptateur externe et le cordon, ne pas transporter l'aspirateur de piscine par le cordon et ne pas tirer sur le cordon pour le débrancher de la source d'alimentation et du produit.
- Charger l'aspirateur de piscine à l'intérieur dans une zone propre et sèche avec une bonne aération et une température ambiante entre 5°C et 35°C.
- NE PAS laisser l'aspirateur de piscine chargé pendant plus de 20 heures.
- Si l'aspirateur de piscine n'est pas utilisé pendant une longue période de temps, le séparer de la base de chargement et utiliser un chiffon humide pour nettoyer et sécher l'aspirateur de piscine et ses accessoires. S'assurer de décharger l'aspirateur de piscine complètement avant de le ranger. Le ranger dans une zone bien aérée éloignée de la lumière solaire, de la chaleur, des sources d'ignition, des produits chimiques pour la piscine et des enfants. Ne jamais laisser l'aspirateur de piscine branché pour un stockage à long terme. Recharger l'aspirateur de piscine tous les trois mois.

Les avertissements et mises en garde ci-dessus ne prétendent pas inclure tous les possibles cas de risques et / ou de blessures graves. Les propriétaires de piscine / spas doivent toujours prendre des précautions supplémentaires et utiliser leur bon sens lorsqu'ils utilisent le produit.

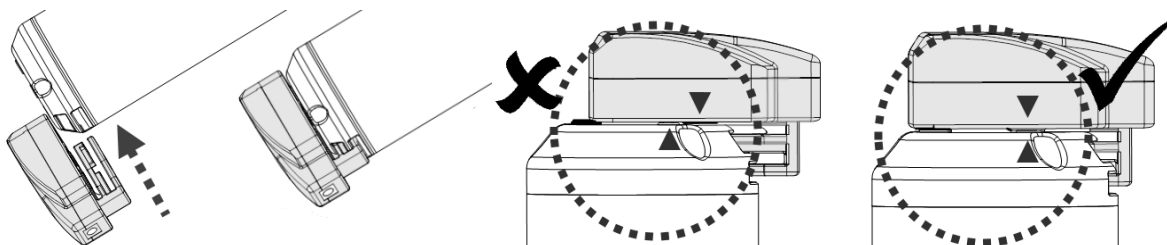
DÉBUT DES OPÉRATIONS

NOTE IMPORTANTE : Charger complètement l'aspirateur à vide avant de l'utiliser pour la première fois.

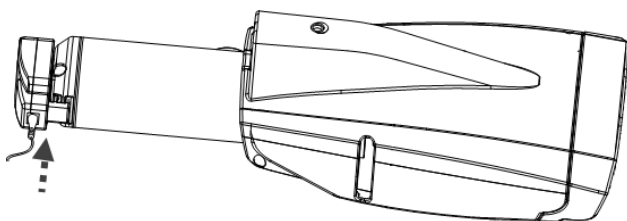
Chargement de la batterie

AVERTISSEMENT !

- Le chargement doit être effectué à l'intérieur, dans une zone bien aérée éloignée de la lumière solaire, des enfants, de la chaleur, de sources d'ignition, et avec une température ambiante entre 5°C et 35°C.
 - Ne jamais utiliser l'adaptateur externe et la base de chargement si un dommage quelconque est détecté.
 - Utiliser uniquement l'adaptateur externe original qui est fourni.
 - S'assurer que l'aspirateur à vide et la base de chargement sont propres et secs avant le montage.
1. Placer l'unité sur une surface plate. Introduire et faire glisser le crochet de la base de chargement dans l'encoche sur l'extrémité de l'unité du corps principal qu'il arrête. S'assurer que les plots sont correctement en contact.



2. Brancher la prise femelle de l'adaptateur externe dans le port de chargement à la fin de la base de chargement.



AVERTISSEMENT !

- NE PAS tenir l'aspirateur de piscine, l'adaptateur externe et la base de chargement pendant qu'ils sont chargés avec des mains humides et sans chaussures.
- Brancher l'adaptateur externe à la source d'alimentation à travers un dispositif (à courant) différentiel résiduel (DDR).
- Charger l'aspirateur de piscine avec l'adaptateur externe original fourni.
- Ne pas utiliser de rallonges de câble électrique.
- Charger complètement la batterie avant sa première utilisation.
- Le chargement doit être effectué à l'intérieur, dans une zone sèche et bien aérée, éloignée de la lumière solaire, des enfants, de la chaleur, des sources d'ignition, et avec une température ambiante entre 5°C et 35°C.
- Toujours débrancher l'adaptateur externe de la source d'alimentation lorsque le chargement est terminé.
- Ne pas laisser l'aspirateur de piscine en charge pendant plus de 20 heures.
- Mettre immédiatement hors tension et débrancher l'adaptateur externe de la source d'alimentation si vous détectez l'une quelconque des conditions suivantes :
 - Odeur désagréable ou inhabituelle
 - Chaleur excessive
 - Déformation, fissures, fuites
 - Fumée

1. S'assurer que l'aspirateur de piscine est hors tension avant de le charger.

2. Brancher l'adaptateur externe à la source d'alimentation. Une fois que l'aspirateur de piscine commence à se charger, le voyant lumineux sur l'adaptateur externe passera au rouge. Normalement, il faut environ 4-5 heures pour atteindre une charge complète. Le voyant lumineux passe au vert lorsque l'aspirateur de piscine est chargé presque complètement.

Note : Si le moteur fait du bruit, éteindre immédiatement le dispositif en appuyant sur le bouton marche/arrêt. Dans le cas contraire, cela pourrait potentiellement conduire à une défaillance des joints d'étanchéité / moteur, et la garantie serait annulée de ce fait.

Note : Charger l'aspirateur de piscine complètement (environ 4-5 heures) avant la première utilisation.

3. Lorsque le chargement est terminé, débrancher l'adaptateur externe de la source d'alimentation et débrancher la prise de la base de chargement.

4. Séparer la base de chargement de l'aspirateur de piscine.

Normalement l'aspirateur de piscine peut fonctionner jusqu'à 40 minutes avec une charge complète (chargement pendant environ 4-5 heures)

Note: Nettoyer le filtre régulièrement. Trop de débris dans le filtre peuvent faire forcer le moteur et par conséquent faire diminuer la durée de fonctionnement.

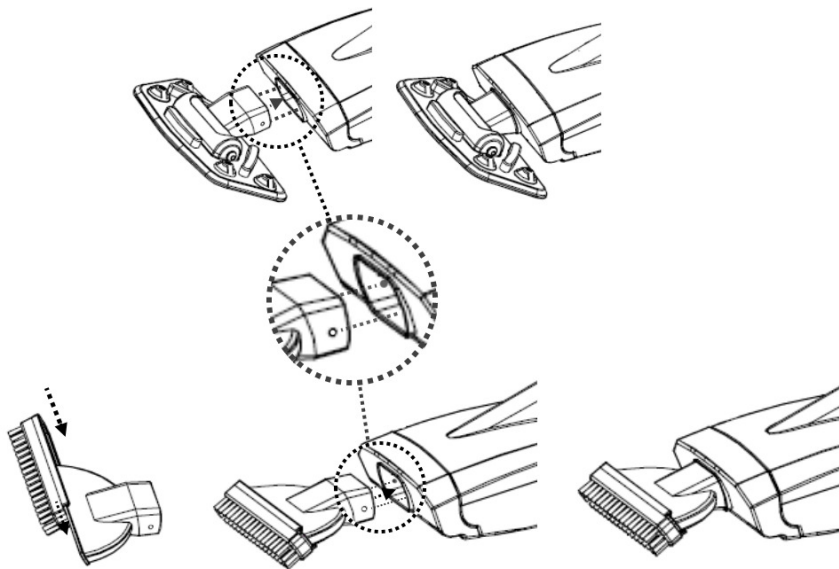
FAIT : La batterie au lithium rechargeable est classée comme un article consommable. Elle a une durée de vie limitée et elle perdra progressivement sa capacité de maintenir une charge. Par conséquent, le temps de fonctionnement de l'aspirateur de piscine se réduira progressivement à travers un chargement et déchargement répétés en fonctionnement.

NOTE : Laisser l'aspirateur de piscine au repos pendant environ 30 à 40 minutes avant de le recharger.

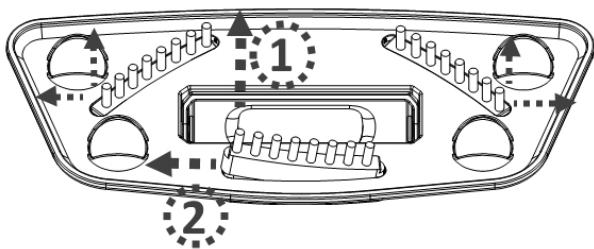
Réglage avant l'utilisation

Assemblage de la tête d'aspiration

Insérer la tête directement dans la bouche d'aspiration de l'aspirateur jusqu'à ce que les clips latéraux du couvercle transparent de la bouche aspirante soient fixés dans les trous du pivot de la tête.



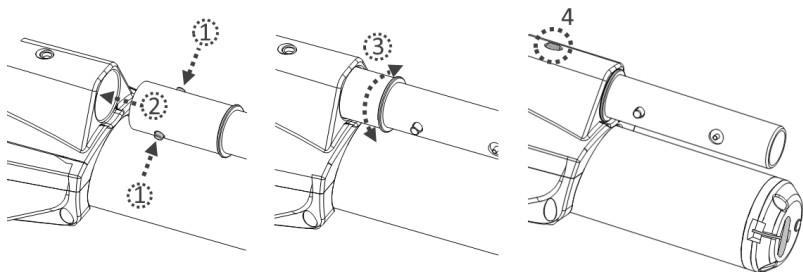
NOTE : Pour remplacer les brosses sur la tête d'aspiration, soulever l'extrémité et la pousser dehors pour laisser un espace pour une nouvelle.



AVERTISSEMENT ! Pour les piscines en fibre de verre et avec une doublure en vinyle, il est recommandé de laisser les brosses sur la tête d'aspiration afin d'éviter d'endommager la piscine

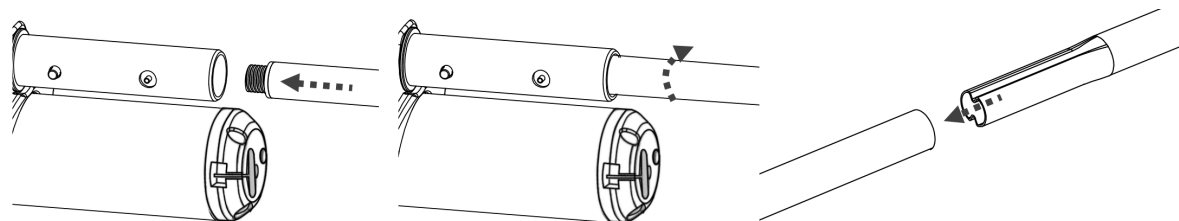
Montage du connecteur de manche

Appuyer sur les broches latérales du connecteur et l'introduire à l'intérieur du corps principal. Faire tourner le connecteur dans une direction ou une autre jusqu'à ce que la broche soit fixée dans l'orifice, comme montré sur le schéma.



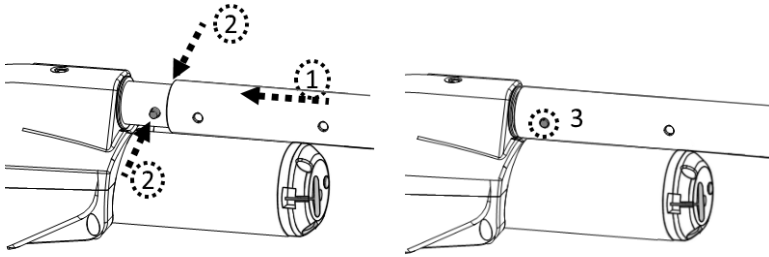
Montage du manche

Sélectionner la section de tube avec un bout fileté à son extrémité. Introduire le bout fileté de la section du manche dans le connecteur de manche et tourner dans le sens horaire pour le visser à l'intérieur. Terminer le montage en introduisant les extrémités rainurées des tubes de la section suivante dans les extrémités rondes des tubes de la section suivante. La section avec la poignée est la dernière section devant être montée.



Montage du manche télescopique

Note : Le clip en V est installé à l'intérieur du connecteur du manche dans le but d'assurer le manche télescopique (non inclus) sur sa position. Faire glisser le manche télescopique sur le connecteur du manche. Appuyer sur les broches latérales du connecteur et faire glisser le manche télescopique un peu plus jusqu'à ce que les broches soient fixées dans les orifices du manche.



Pour libérer le manche télescopique, appuyer sur les languettes latérales simultanément et pousser pour faire sortir le manche.

FONCTIONNEMENT

AVERTISSEMENT !

- Ne pas utiliser l'aspirateur de piscine si un dommage quelconque est détecté.
- Une tâche d'huile peut se produire qui serait due à une fuite possible des lubrifiants appliqués au joint torique.
- Ne pas faire fonctionner cet aspirateur de piscine s'il y a des personnes/animaux de compagnie, présents dans l'eau.
- S'assurer que l'aspirateur de piscine est complètement immergé dans l'eau avant de commencer l'opération. Le niveau d'eau minimum requis pour faire fonctionner le dispositif doit dépasser le bouton d'alimentation de l'aspirateur de piscine lorsqu'il est tenu dans une position verticale. Faire fonctionner l'aspirateur de piscine lorsqu'il n'est pas immergé dans l'eau correctement peut endommager l'unité et annuler de ce fait la garantie.
- La profondeur maximale de fonctionnement dans l'eau est de 2 mètres.
- Température maximale de l'eau : 5°C (41°F)–35°C (95°F)
- Ne pas utiliser l'aspirateur de piscine sans sac filtrant en place. L'utilisation de votre aspirateur de piscine sans sac filtrant en place ANNULERA votre garantie.
- Danger de piégeage de l'aspiration : Cet aspirateur de piscine produit une aspiration. Ne pas permettre que les cheveux, le corps, ou toutes parties lâches de vos vêtements entrent en contact avec l'orifice d'aspiration de l'aspirateur de piscine pendant son fonctionnement.
- Ne jamais introduire des parties du corps, de vêtements ou autres objets dans les ouvertures et pièces mobiles.
- Ne pas utiliser cet aspirateur de piscine pour ramasser toute substance toxique, des liquides inflammables ou combustibles tels que l'essence, ou opérer en présence de fumées explosives ou inflammables.
- NE PAS couvrir la rainure latérale du corps de l'épurateur corps pendant le fonctionnement. La turbine/moteur peut être endommagée de ce fait.
- Ne jamais introduire un objet pouvant toucher la turbine.

MISE EN GARDE

- Utiliser uniquement les accessoires originaux fournis avec ce produit.

- Ne pas utiliser cet aspirateur de piscine immédiatement après le nettoyage chimique de la piscine. Il est recommandé de laisser circuler l'eau dans la piscine durant au moins 24-48 heures.
- Il n'est pas recommandé d'utiliser cet aspirateur de piscine avec un autre aspirateur de piscine/épurateur simultanément.
- NE PAS laisser l'aspirateur de piscine dans l'eau lorsqu'il n'est pas utilisé ou lorsque la batterie est basse attendu qu'une fuite d'eau peut se produire.

1) Porter votre aspirateur de piscine à côté de votre piscine / spa. Immerger l'aspirateur de piscine dans l'eau et appuyer sur le bouton d'alimentation pour commencer l'opération.

MISE EN GARDE ! S'assurer que l'aspirateur de piscine est toujours est toujours tourné vers le bas lorsqu'il est placé dans la piscine. Dans le cas contraire, il peut courber le connecteur de manche et l'endommager durant le processus.

2) Pour retirer l'aspirateur de la piscine / spa, faire monter l'aspirateur de piscine tout en l'orientant vers le bas afin de permettre à l'eau de s'échapper par le clapet de refoulement. L'eau s'échappera à travers la poignée / connecteur de manche et les orifices d'évacuation à l'intérieur la chambre de la poignée sur le corps arrière.

MISE EN GARDE ! S'assurer que l'aspirateur de piscine est toujours orienté vers le bas lorsqu'il est retiré de la piscine. Dans le cas contraire, le connecteur de manche peut être courbé et endommager l'aspirateur de piscine dans le processus.

3) Rincer l'aspirateur de piscine à l'eau fraîche après chaque utilisation. N'utiliser aucun détergent.

VIDER LE FILTRE

AVERTISSEMENT ! L'utilisation de l'aspirateur à vide sans un sac filtrant en place ANNULERA votre garantie.

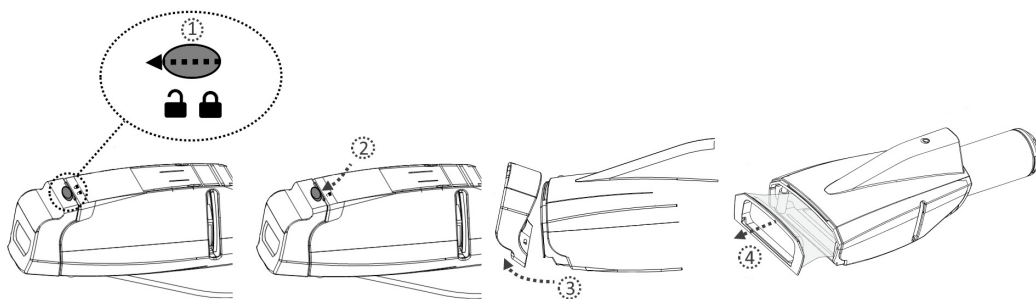
Afin de maximiser l'efficacité de nettoyage, assurez-vous de nettoyer le sac filtrant avant et après chaque utilisation.

MISE EN GARDE ! Si l'aspirateur à vide est en chargement, débrancher l'adaptateur externe de la source d'alimentation et séparer l'aspirateur à vide de la base du chargeur.

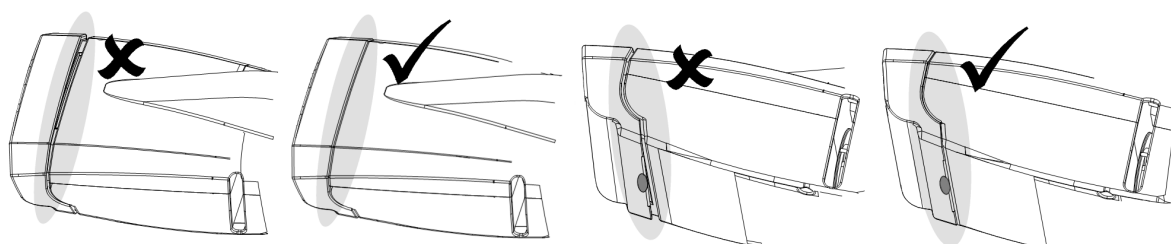
- Vider le sac filtrant :

1. Déverrouiller et détacher la bouche d'aspiration et ensuite enlever le sac filtrant.

ATTENTION: Remplacer le sac endommagé du filtre immédiatement avant l'opération suivante.



2. Vider et nettoyer le sac filtrant.
3. Re-assembler le sac filtrant et la bouche d'aspiration sans laisser d'espace.



MAINTENANCE ET STOCKAGE

NOTE :

1. La batterie se décharge de par elle-même durant le stockage. S'assurer de charger complètement l'aspirateur de piscine avant le stockage.
2. Vous devez recharger la batterie au moins une fois tous les trois mois lorsqu'elle n'est pas utilisée.
 - Débrancher l'adaptateur externe de la prise et débrancher ensuite le jack de l'adaptateur de la base de chargement.
 - Séparer les accessoires de l'aspirateur de piscine. Si nécessaire, rincer l'aspirateur de piscine et les accessoires à l'eau fraîche. Ne pas utiliser de détergent.
 - S'assurer de bien évacuer l'eau du corps et de la poignée/connecteur de manche.
 - Utiliser un chiffon humide pour nettoyer et sécher l'aspirateur de piscine et ses accessoires.
 - Les ranger dans une zone bien aérée éloignée de la lumière solaire, de la chaleur, des sources d'ignition et des produits chimiques pour la piscine et tenir hors de la portée des enfants. La température ambiante de stockage doit être de 10°C(50°F) – 25°C(77°F). NOTE : Une température de stockage plus élevée peut réduire la vie de la batterie.

AVERTISSEMENT !

- Ne jamais tenter d'une façon quelconque de démonter l'aspirateur de piscine.
- En aucun cas, vous ne devez tenter de démonter l'aspirateur de piscine et de remplacer la turbine, le moteur et la batterie de par vous-même.

MISE EN GARDE !

- La chaleur excessive peut endommager la batterie et réduire par conséquent sa durée de vie.
- La batterie fournie avec votre aspirateur de piscine a une durée pour 300 cycles de chargement (avec un chargement et un fonctionnement corrects). La durée de vie de la batterie est réduite si les situations suivantes se produisent :
 - La batterie semble endommagée ou ne se charge pas complètement.
 - Le temps de fonctionnement de la batterie est significativement réduit. Observer et noter le temps de fonctionnement pendant les premières utilisations (à pleine charge). Utiliser cette information comme point de référence pour comparer le temps de fonctionnement avec des batteries plus anciennes.
- La batterie doit être retirée de l'aspirateur de piscine avant d'être éliminée.
- L'aspirateur de piscine doit être débranché de l'alimentation principale pendant le retrait de la batterie
- La batterie doit être éliminée sous une forme sûre et conformément aux ordonnances ou réglementations locales.

NOTE : Une maintenance incorrecte peut réduire la durée de vie de la batterie et affecter de ce fait sa capacité.

ÉLIMINATION DES BATTERIES

Votre aspirateur de piscine est équipé d'un bloc de batteries rechargeables au lithium libre de toute maintenance, qui doit être éliminé correctement. Son recyclage est requis ; veuillez contacter les autorités locales de votre région pour une plus ample information.

AVERTISSEMENT !

Ne jamais tenter de démonter un bloc de batteries

- Retirer tous les objets personnels tels que bagues, bracelets, colliers et montres lorsque le bloc de batteries n'est pas connecté à l'aspirateur de piscine.
- Une batterie peut produire un courant de court-circuit suffisamment élevé pour souder une bague (ou un article similaire) au métal, causant ainsi une grave brûlure dans le processus.
- Porter un protecteur complet pour les yeux, des gants et des vêtements de protection lorsque le bloc de batteries est retiré.
- Éviter absolument de toucher les fils et éviter de leur permettre de faire contact avec tous objets métalliques, ce qui pourrait causer une émission d'étincelles et/ou court-circuiter la batterie.
- Ne jamais fumer ni permettre qu'une étincelle ou une flamme ne se produise dans le voisinage de la batterie ou de l'aspirateur de piscine.
- Ne pas exposer la batterie au feu ou à une chaleur intense car cela pourrait produire une explosion.

MISE EN GARDE !

Si une fuite de la batterie se produit, éviter le contact avec les liquides de fuite et placer la batterie endommagée dans un sac en plastique.

- Si les liquides de fuite entrent en contact avec la peau et les vêtements, les laver

- immédiatement avec une grande quantité de savon et d'eau.
- Si les liquides de fluides entrent en contact avec les yeux, ne pas se frotter les yeux, rincer immédiatement les yeux à l'eau courante froide pendant 15 minutes au moins et ne pas les frotter. Demander une assistance médicale le plus rapidement possible.

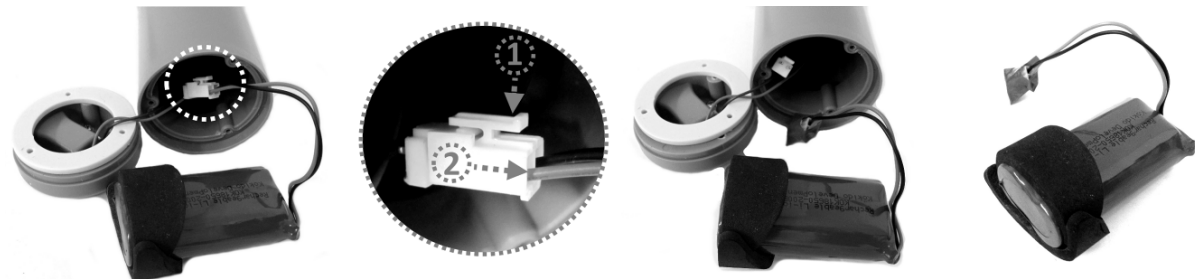
Comment retirer le bloc de batteries

Outils recommandés (non inclus) : Tournevis Philips

1. Utiliser le tournevis pour dévisser 3 vis sur la plaque arrière et la séparer ensuite du corps. Pousser le bloc de batteries dehors pour obtenir un accès au connecteur du bloc de batteries.



2. Pour séparer le bloc de batteries, appuyer sur le clip du connecteur et le pousser dehors. NOTE : Enrouler immédiatement un ruban isolant sur le connecteur afin d'éviter un court-circuit causé par le contact des deux cosses de câble.



REPÉRAGE DE PANNES

Problème	Cause possible	Solution
L'aspirateur de piscine ne capture pas les débris	La batterie est épuisée	Recharger la batterie.
	La turbine est bloquée	Débrancher l'aspirateur de piscine et vérifier visuellement l'espace au milieu de l'aspirateur de piscine pour voir si la turbine est bloquée par de gros débris. Si c'est possible, utiliser un petit outil pour les retirer avec le plus grand soin et toutes les précautions voulues. Si nécessaire, contactez votre concessionnaire pour des instructions supplémentaires. AVERTISSEMENT ! S'assurer que l'aspirateur de piscine est bien débranché lorsque l'unité est en cours d'entretien.
	La turbine est cassée	Contactez votre concessionnaire pour le remplacement de la turbine.
	Le filtre est plein	Nettoyer le filtre.
Les débris s'échappent du filtre	Le volet de tuyère d'aspiration est cassé	Le volet de tuyère d'aspiration fonctionne comme une porte pour empêcher les débris de s'échapper du filtre. Contactez le concessionnaire pour les pièces de rechange et les instructions nécessaires.
Des débris sortent du sac filtrant	Le filtre est endommagé	Remplacer par un nouveau filtre.
La poignée / le connecteur manche ne peuvent pas être fixés et montés	La broche latérale est cassée	Remplacer par une nouvelle poignée / connecteur de manche.
L'aspirateur de piscine ne peut pas être chargé / rechargé	La batterie est endommagée	Contactez le concessionnaire pour le remplacement de la batterie. AVERTISSEMENT ! NE PAS ouvrir l'aspirateur de piscine et remplacer la batterie de par vous-même. Cela pourrait causer des blessures graves ou mortelles et la garantie serait annulée de ce fait.
	Les plots de la base du chargeur et de l'unité ne sont pas connectés	S'assurer que la base du chargeur est correctement montée sur l'unité de telle sorte que leurs plots se touchent.
	L'adaptateur externe ne fonctionne pas	Contactez votre concessionnaire pour le remplacer. AVERTISSEMENT ! L'utilisation d'un adaptateur externe incorrect risque d'endommager l'aspirateur de piscine / batterie et annulera de ce fait la garantie.
L'aspirateur ne glisse pas bien et se déplace difficilement	La roulette à bille est bloquée	Pousser la roulette à bille hors de la cavité en introduisant un petit outil dans le petit orifice sur la partie supérieure de la cavité. La nettoyer et la repousser dans la cavité après son nettoyage.

Programmes environnementaux, Directive européenne DEEE



Veillez respecter les réglementations de l'Union européenne et aider à protéger l'environnement. Portez les équipements électriques qui ne fonctionnent pas à une installation désignée par votre municipalité qui recycle correctement les équipements électriques et électroniques. Ne les jetez pas dans des poubelles sans triage. Pour les articles contenant des batteries démontables, retirer les batteries avant d'éliminer le produit.



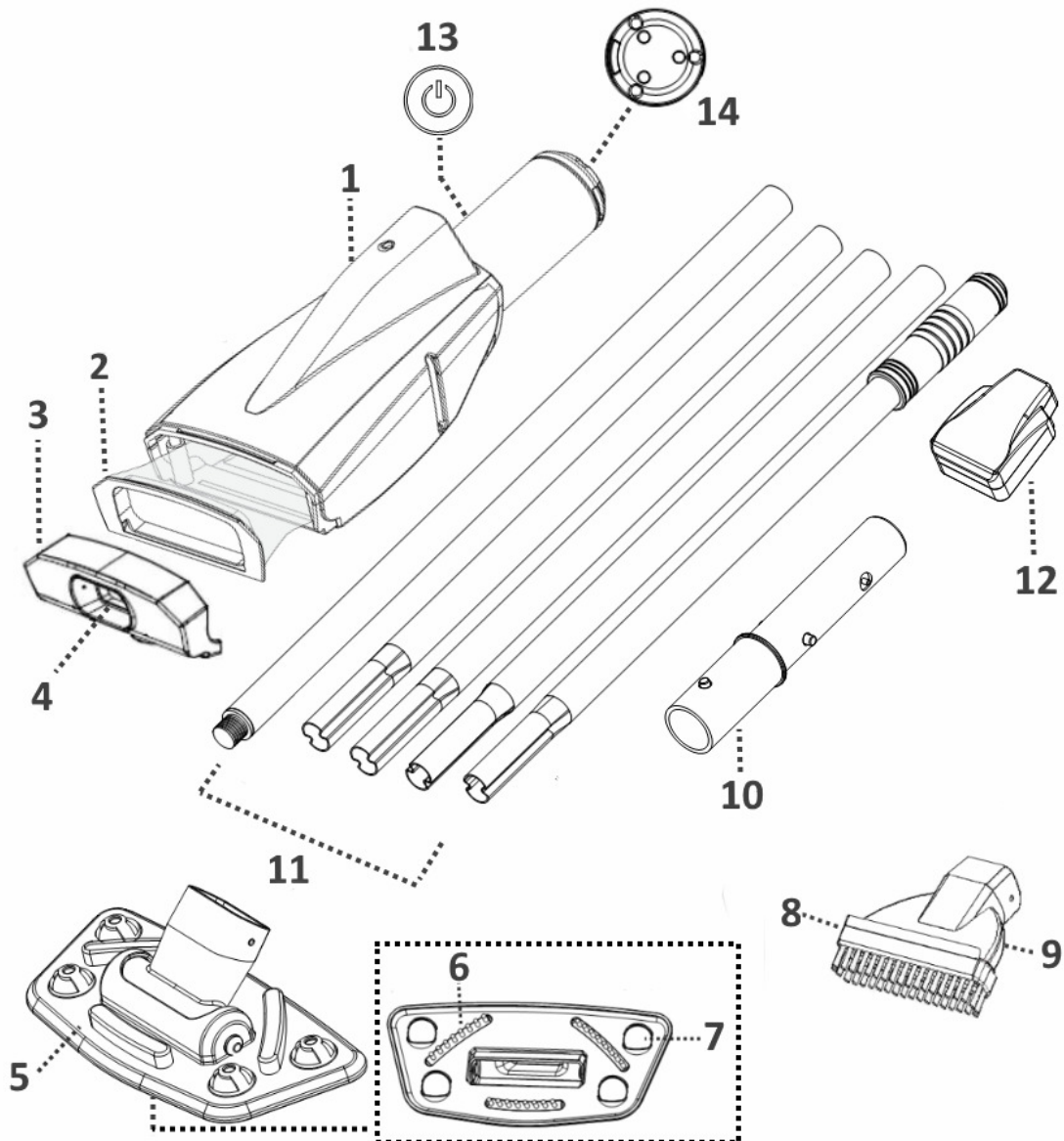
© 2017 Kokido Development Ltd.

17008021

Tous droits réservés. Aucune partie de ce document ne peut être reproduite ou transmise sous une forme quelconque ou par tous moyens, électroniques, mécaniques, photocopies, enregistrement ou de toute autre façon, sans l'autorisation écrite préalable de Kokido Development Ltd. (V1)

Si vous avez besoin d'une copie sur papier de ce manuel d'instructions, veuillez contacter notre service clientèle par email : customerservice@kokido.com

DIAGRAMA DE LAS PARTES



- | | |
|-----------------------------------|------------------------------------|
| 1. Carcasa principal | 8. Cepillo deslizante |
| 2. Bolsa filtrante | 9. Boquilla de aspiración plana |
| 3. Tapa delantera | 10. Conector de pértiga |
| 4. Solapa de la boquilla | 11. Secciones de la pértiga |
| 5. Cabeza de aspiración pivotante | 12. Base del cargador |
| 6. Cepillo | 13. Botón de APAGADO/ENCENDIDO |
| 7. Ruedas de bolas | 14. Placa de contacto para recarga |

Batería: paquete de baterías de iones de litio recargable, 2000 mAh, 7,4 V, 14,8 Wh
 Tensión de carga: 8,4 V CC, 1,0 A ; Motor: 7,2 V CC

AVISOS E INSTRUCCIONES DE SEGURIDAD

Lea y siga todas las instrucciones contenidas en este manual y en el equipo. En caso contrario, podría sufrir lesiones graves o mortales.

¡ATENCIÓN!

- Este dispositivo no es un JUGUETE. Mantenga a los niños lejos de esta aspiradora de piscina y de sus accesorios.
- Los niños no deben usar este producto.
- Esta aspiradora de piscina no está diseñada para ser usada por personas con discapacidad física, sensorial o mental, ni por personas con falta de experiencia y conocimientos, a menos que hayan recibido instrucciones sobre el dispositivo y sean supervisadas por la persona responsable de su seguridad.
- Asegúrese de que la aspiradora de piscina está totalmente sumergida en el agua antes de usarla. El nivel mínimo de agua necesario para usar el dispositivo debe estar por encima del botón de encendido de la aspiradora de piscina en posición vertical. El uso de la aspiradora de piscina, si no está correctamente sumergida en el agua, podría dañar la unidad y anular la garantía.
- La profundidad máxima a la que se puede usar el dispositivo es de 2 metros.
- Temperatura máxima del agua: 5 °C (41 °F)–35 °C (95 °F)
- NO se deben usar regletas de enchufes eléctricos.
- Conecte el adaptador externo a una fuente de alimentación a través de un dispositivo diferencial residual (RCD, por sus siglas en inglés). En caso de duda, consulte a un electricista profesional cualificado.
- No use esta aspiradora de piscina si detecta cualquier daño.
- Sustituya las piezas dañadas lo antes posible. Sólo debe usar piezas certificadas por el distribuidor o el fabricante.
- Desactive el dispositivo, desconecte el adaptador externo de la fuente de alimentación y desenchufe el adaptador externo de la base de carga antes de retirar la aspiradora de piscina de la base de carga.
- Desconecte la aspiradora de piscina de la alimentación eléctrica antes de realizar cualquier operación de mantenimiento de usuario, como puede ser la limpieza del filtro.
- Retire la aspiradora de piscina de la base de carga y asegúrese de que está apagada antes de manipular el producto.
- La batería instalada es un paquete de baterías de iones de litio recargable. Nunca debe intentar sustituir el paquete de baterías.
- La aspiradora de piscina sólo debe usarse con el adaptador externo que se suministra con este producto.
- No debe usar esta aspiradora de piscina sin bolsa filtrante en el agua.
- NO use la aspiradora de piscina sin una bolsa filtrante instalada, ya que de lo contrario la garantía quedará anulada.
- Peligro de atrapamiento por succión: Esta aspiradora de piscina genera succión. No permita que su pelo, cuerpo o prendas sueltas entren en contacto con el orificio de succión de la aspiradora de piscina cuando esté en funcionamiento.
- No introduzca nunca partes del cuerpo, ropa u otros objetos en las aberturas y piezas móviles de la aspiradora de piscina.
- NO use esta aspiradora de piscina para recoger sustancias tóxicas, inflamables o líquidos combustibles como gasolina, ni tampoco cerca de gases explosivos o

inflamables.

- No intente nunca desmontar la aspiradora de piscina.
- No intente, bajo ninguna circunstancia, desmontar la aspiradora de piscina y sustituir el propulsor, el motor y la batería por sí mismo.
- Nunca debe introducir ningún objeto para tocar el propulsor.

- Adaptador externo y base de carga:
 - Sólo para uso interior.
 - Sólo debe usar el adaptador externo y la base de carga para recargar la batería de la aspiradora de piscina suministrada en el mismo paquete.
 - El adaptador externo y la base de carga no deben usarse en el exterior, ni exponerse a la lluvia, la humedad, al calor ni a ningún líquido.
 - Mantenga el adaptador externo y la base de carga fuera del alcance de los niños.
 - Nunca debe usar el adaptador externo ni la base de carga si detecta cualquier daño.
 - NO coja el adaptador externo ni la base de carga con las manos mojadas.
 - Mientras el dispositivo se esté cargando, NO manipule la aspiradora de piscina, el adaptador externo ni la base de carga, con las manos mojadas y sin zapatos.
 - Mantenga el adaptador externo desconectado de la corriente eléctrica cuando no lo esté usando.
 - No intente abrir el adaptador externo ni la base de carga.
 - Si el cable eléctrico está dañado, debe ser sustituido por el fabricante, por su representante de servicio o por un profesional cualificado, con el objetivo de evitar cualquier peligro.
 - Asegúrese de que la aspiradora de piscina y la base de carga están completamente secas antes de iniciar la recarga.

¡PRECAUCIÓN!

- Esta aspiradora de piscina sólo está diseñada para ser usada bajo el agua; no es una aspiradora de uso general. NO intente usarla para limpiar una superficie que no sea su piscina/*spa*.
- Sólo debe usar accesorios originales provistos junto con este producto.
- NO use esta aspiradora de piscina justo después de aplicar el tratamiento de choque a la piscina. Se recomienda dejar circular el agua de la piscina durante al menos 24-48 horas.
- No se recomienda usar esta aspiradora de piscina simultáneamente con otra aspiradora o limpiador de piscina.
- Evite recoger objetos duros y afilados con este dispositivo. Podrían dañar la aspiradora de piscina y el filtro.
- Tenga cuidado al limpiar las escaleras de la piscina.
- Sólo se debe usar la base de carga con el objetivo especificado en este manual.
- Para evitar dañar el adaptador externo y el cable, no transporte la aspiradora de piscina por el cable ni tire del cable para desconectarlo de la fuente de alimentación y del producto.
- Recargue la aspiradora de piscina en una zona interior limpia y seca, con buena ventilación y con una temperatura ambiente de entre 5°C y 30°C.
- NO deje la aspiradora de piscina cargando durante más de 20 horas.

- Si no va a usar la aspiradora de piscina durante un periodo de tiempo prolongado, sepárela de la base de carga y use un paño húmedo para limpiar y secar la aspiradora de piscina y sus accesorios. Asegúrese de cargar totalmente la aspiradora de piscina antes de guardarla. Guárdela en una zona bien ventilada y libre de luz solar, calor, fuentes de ignición y productos químicos para piscina, fuera del alcance de los niños. No deje nunca la aspiradora de piscina conectada si va a guardarla durante un periodo de tiempo prolongado. Recargue la aspiradora de piscina cada tres meses.

Los avisos y precauciones anteriores pueden no incluir todas posibles situaciones de riesgo y/o lesiones graves. Los propietarios de piscina/spa deben tener siempre mucho cuidado y sentido común al utilizar el producto.

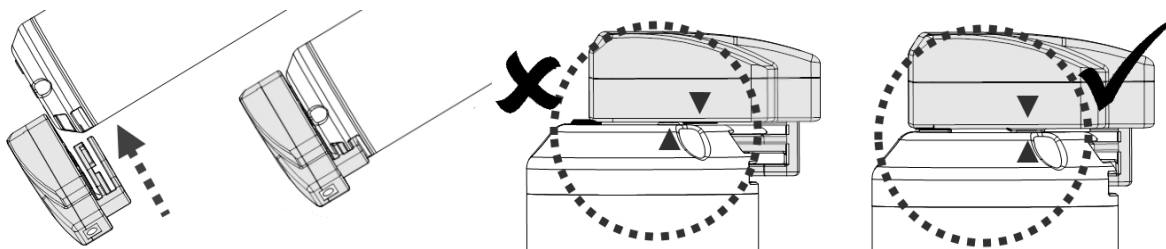
PRIMEROS PASOS

AVISO IMPORTANTE: Recargue completamente la aspiradora de piscina antes de usarla por primera vez.

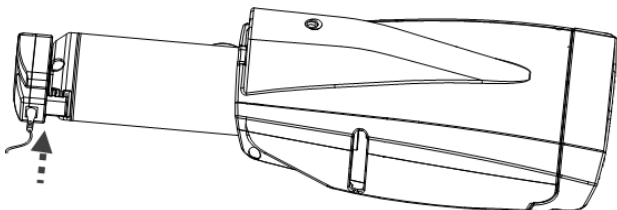
Carga de la batería

¡ATENCIÓN!

- La recarga debe realizarse en una zona interior, bien ventilada y libre de luz solar, niños, calor, fuentes de ignición y con una temperatura ambiente de entre 5°C y 35°C.
 - Nunca debe usar el adaptador externo ni la base de carga si detecta cualquier daño.
 - Use sólo el adaptador externo original provisto con el producto.
 - Asegúrese de que la aspiradora de piscina y la base de carga están limpias y secas antes de instalarlas.
1. Coloque la unidad sobre una superficie estable. Inserte y deslice el gancho de la base de carga dentro de la muesca situada en el extremo de la carcasa principal hasta que se detenga. Asegúrese de que las placas de contacto están en contacto.



2. Conecte el conector hembra del adaptador externo a la toma de carga situada en el extremo de la base de carga.



¡ATENCIÓN!

- Mientras el dispositivo se esté cargando, NO manipule la aspiradora de piscina, el adaptador externo ni la base de carga, con las manos mojadas y sin zapatos.
- Conecte el adaptador externo a la fuente de alimentación a través de un dispositivo diferencial residual (RCD, por sus siglas en inglés). En caso de duda, consulte a un electricista profesional cualificado.
- Cargue la aspiradora de piscina mediante el adaptador externo original suministrado.
- NO se deben usar regletas de enchufes eléctricos.
- Cargue completamente la batería antes de usarla por primera vez.
- La recarga debe realizarse en una zona interior, seca, bien ventilada y libre de luz solar, niños, calor, fuentes de ignición y con una temperatura ambiente de entre 5°C y 35°C.
- Desconecte siempre el adaptador externo de la fuente de alimentación cuando termine la carga.
- No deje la aspiradora de piscina cargando durante más de 20 horas.
- Desactive inmediatamente el dispositivo y desconecte el adaptador externo de la fuente de alimentación si detecta alguna de las siguientes condiciones:
 - Olor ofensivo o inusual
 - Calor excesivo
 - Deformación, grietas o fugas
 - Humo

1. Asegúrese de que la aspiradora de piscina está desconectada antes de cargarla.
2. Conecte el adaptador externo a la fuente de alimentación. Cuando la aspiradora de piscina empiece a cargarse, el piloto indicador del adaptador externo se pondrá rojo. Normalmente se tardan unas 4-5 horas en conseguir una carga completa. El piloto indicador se pondrá verde cuando la aspiradora de piscina esté casi cargada al máximo.

Atención: Si el motor emite ruido, apague inmediatamente el dispositivo pulsando el botón ON/OFF. En caso contrario, podría causar una avería de los sellos del eje / del motor, por lo que la garantía quedaría anulada.

Atención: Cargue totalmente la aspiradora de piscina (unas 4-5 horas) antes de usarla por primera vez.

3. Cuando la carga haya terminado, desconecte el adaptador externo de la fuente de alimentación y desenchufe el conector de la base de carga.

4. Separe la base de carga de la aspiradora de piscina.

En condiciones normales, la aspiradora de piscina se puede usar hasta 40 minutos si tiene carga completa (recargada durante 4-5 horas)

Nota: Limpie el filtro regularmente. Demasiado suciedad en el filtro aumenta el trabajo del motor y de consecuencia disminuye el tiempo de funcionamiento.

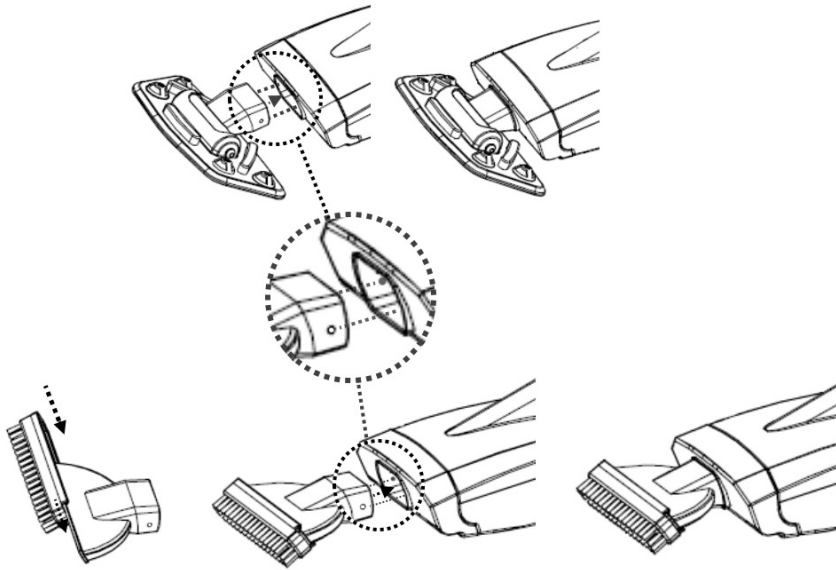
HECHO: La batería recargable de iones de litio está clasificada como un producto consumible. Tiene una vida útil limitada y perderá gradualmente su capacidad de retener la carga. Así pues, el tiempo de funcionamiento de la aspiradora de piscina se reducirá gradualmente a medida que se cargue y se descargue la aspiradora por su uso.

NOTA: Deje reposar la aspiradora de piscina durante unos 30 o 40 minutos antes de volverla a cargar.

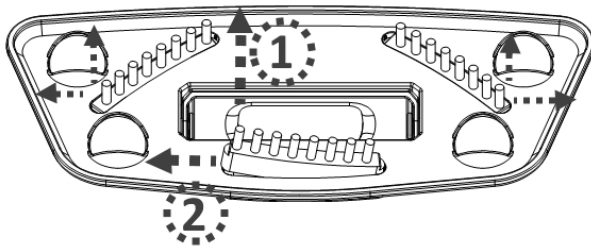
Montaje previo al uso

Montaje del cabezal de succión

Inserte la cabeza de aspiración directamente en la boquilla de succión del limpiafondos de piscina hasta que los encajes laterales de la boquilla de succión encajen en los orificios de la cabeza de aspiración.



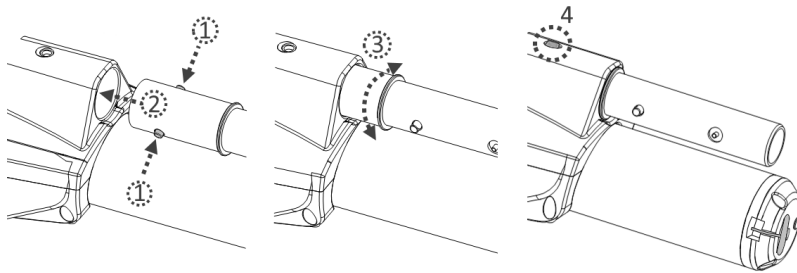
NOTA: Para sustituir los cepillos del cabezal de succión, levante el extremo y tire de él para dejar espacio para uno nuevo.



¡ATENCIÓN! En el caso de piscinas revestidas de vinilo o piscinas de fibra de vidrio, se recomienda mantener los cepillos en el cabezal de succión para evitar dañar la piscina.

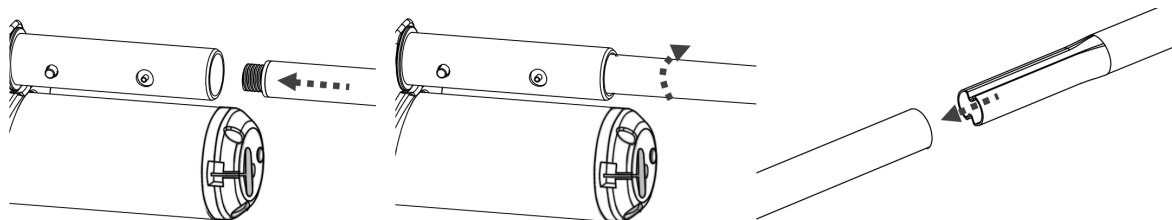
Montaje del conector de pértiga

Presione los pasadores laterales del conector e insértela dentro de la carcasa principal. Gire el conector en cualquier dirección hasta que el pasador quede fijado en el orificio, tal como aparece en la imagen.



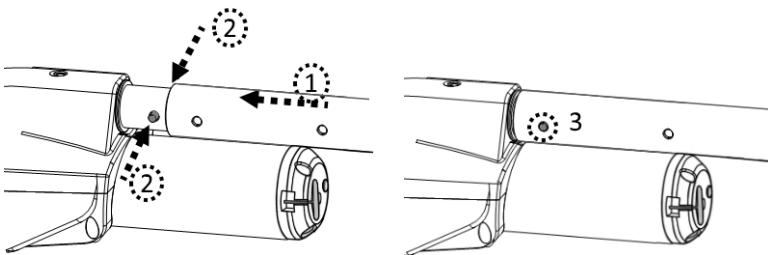
Montaje de la pértiga

Seleccione la sección de tubo con punta de rosca en el extremo. Inserte la punta de rosca de la sección de la pértiga en el conector y gírela en el sentido de las agujas del reloj para enroscarla. Finalice el montaje insertando los extremos estriados de las siguientes secciones de tubo en los extremos redondos del resto de secciones de tubo. La sección con el mango es la última que debe montarse.



Montaje de la pértiga telescópica

Nota: existe un clip en V instalado dentro del conector de la pértiga para fijar la pértiga telescópica (no incluida) en su sitio. Introduzca la pértiga telescópica en el conector de la misma. Presione los pasadores laterales del conector e introduzca la pértiga telescópica todavía más, hasta que los pasadores queden fijados dentro de los orificios de la pértiga.



Para liberar la pértiga telescópica, pulse las pestañas laterales simultáneamente y tire de la pértiga.

FUNCIONAMIENTO

¡ATENCIÓN!

- No use la aspiradora de piscina si detecta cualquier daño.

- Es posible que se generen manchas de aceite causadas por el derrame de lubricante que se suele aplicar al anillo sellador.
- No debe usar esta aspiradora de piscina si hay personas/mascotas en el agua.
- Asegúrese de que la aspiradora de piscina está totalmente sumergida en el agua antes de empezar a usarla. El nivel mínimo de agua necesario para usar el dispositivo debe estar por encima del botón de encendido de la aspiradora de piscina en posición vertical. El uso de la aspiradora de piscina, si no está correctamente sumergida en el agua, puede dañar la unidad y anular la garantía.
- La profundidad máxima a la que se puede usar el dispositivo es de 2 metros.
- Temperatura máxima del agua: 5 °C(41°F) –35 °C(95°F)
- NO use la aspiradora de piscina sin una bolsa filtrante instalada. El uso de la aspiradora de piscina sin una bolsa filtrante instalada ANULARÁ su garantía.
- Peligro de atrapamiento por succión: Esta aspiradora de piscina genera succión. No permita que su pelo, cuerpo o prendas sueltas entren en contacto con la boquilla de succión de la aspiradora de piscina cuando esté en funcionamiento.
- No introduzca nunca partes del cuerpo, ropa u otros objetos en las aberturas y piezas móviles.
- NO use esta aspiradora de piscina para recoger sustancias tóxicas, inflamables o líquidos combustibles como gasolina, ni use el dispositivo cerca de gases explosivos o inflamables.
- NO cubra la ranura lateral de la carcasa cuando el dispositivo se encuentre en funcionamiento. El propulsor/motor podría dañarse.
- Nunca debe introducir ningún objeto para tocar el propulsor.

¡PRECAUCIÓN!

- Sólo debe usar accesorios originales provistos junto con este producto.
- NO use esta aspiradora de piscina justo después de aplicar el tratamiento de choque a la piscina. Se recomienda dejar circular el agua de la piscina durante al menos 24-48 horas.
- No se recomienda usar esta aspiradora de piscina simultáneamente con otra aspiradora o limpiador de piscina.
- NO deje la aspiradora de piscina en el agua cuando no la esté usando o si le queda poca batería, ya que se podría producir una fuga de agua.

1) Deje su aspiradora de piscina al lado de su piscina/*spa*. Sumerja la aspiradora de piscina en agua y pulse el botón de encendido para que empiece a funcionar.

¡PRECAUCIÓN! Asegúrese de que la aspiradora de piscina siempre esté colocada hacia abajo al introducirla en la piscina. Si no, el conector de la pértiga podría doblarse y dañarse durante el proceso.

2) Para sacar la aspiradora de la piscina/*spa*, levántela apuntando hacia abajo para que el agua que contenga salga por la válvula de drenaje. El agua saldrá por el mango / conector de la pértiga por los orificios de drenaje situados dentro del depósito del mango, en la carcasa trasera.

¡PRECAUCIÓN! Asegúrese de que la aspiradora de piscina siempre esté apuntando hacia abajo al sacarla de la piscina. Si no, el conector de la pértiga podría doblarse y dañar la aspiradora de piscina.

3) Enjuague la aspiradora de piscina con agua limpia tras cada uso. NO use detergentes.

VACIADO DEL FILTRO

¡ATENCIÓN! El uso de la aspiradora de piscina sin una bolsa filtrante instalada ANULARÁ su garantía.

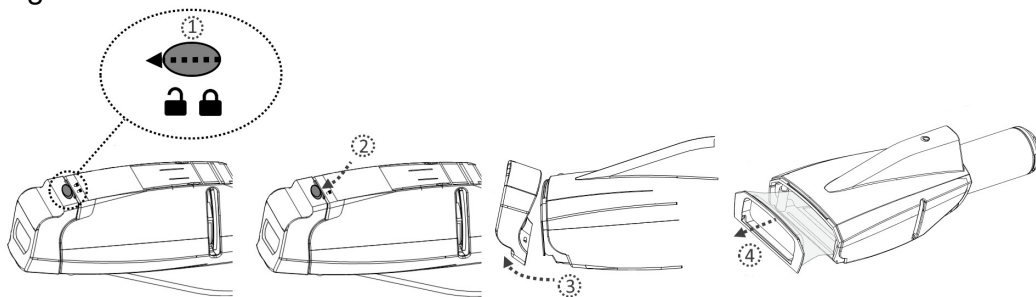
Para maximizar la eficiencia del lavado, asegúrese de limpiar la bolsa filtrante antes y después de cada uso.

¡PRECAUCIÓN! Si la aspiradora de piscina se está recargando, desconecte el adaptador externo de la fuente de alimentación y retire la aspiradora de la base del cargador.

• Vaciado de la bolsa filtrante

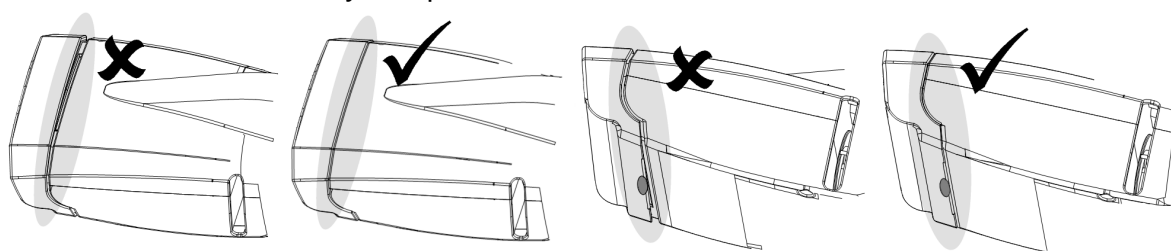
1. Desbloquear y destacar la tapa delantera y retirar el filtro.

¡ATENCIÓN! Sustituya la bolsa filtrante dañada inmediatamente antes del siguiente uso.



2. Vaciar y limpiar el filtro.

3. Re-ensamblar el filtro y la tapa delantera.



MANTENIMIENTO Y ALMACENAMIENTO

NOTA:

1. La batería se descarga durante los periodos de almacenamiento. Asegúrese de cargar totalmente la aspiradora de piscina antes de guardarla.
2. Debe recargar la batería al menos una vez cada tres meses si no la va a usar.

- Desenchufe el adaptador externo del enchufe y desconecte el conector adaptador de la base de carga.
- Separe los accesorios de la aspiradora de piscina. Si fuera necesario, enjuague la aspiradora de piscina y sus accesorios con agua limpia. NO use detergente.
- Asegúrese de drenar el agua del cuerpo principal, del mango, y del conector.
- Use un paño húmedo para limpiar y secar la aspiradora de piscina y sus accesorios.
- Guárdelos en una zona bien ventilada y libre de luz solar, calor, fuentes de ignición y productos químicos para piscina, fuera del alcance de los niños. La temperatura ambiente de almacenamiento debe ser de 10 °C(50°F) - 25 °C(77°F).
NOTA: Una temperatura de almacenamiento superior podría reducir la vida útil de la batería.

¡ATENCIÓN!

- No intente nunca desmontar la aspiradora de piscina.
- No intente, bajo ninguna circunstancia, desmontar la aspiradora de piscina y sustituir el propulsor, el motor y la batería por sí mismo.

¡PRECAUCIÓN!

- El calor excesivo puede dañar la batería y reducir su vida útil.
- La batería suministrada con su aspiradora de piscina dura unos 300 ciclos de recarga (con una carga y uso adecuados). La vida útil de la batería se reduce en las siguientes condiciones:
 - La batería parece dañada o no se carga completamente.
 - El tiempo de funcionamiento de la batería se ha reducido considerablemente. Observe y anote el tiempo de funcionamiento durante los primeros usos (con carga completa). Use esta información como referencia para comparar el tiempo de funcionamiento con baterías más antiguas.
- La batería debe sacarse de la aspiradora de piscina antes de ser desechada.
- La aspiradora de piscina debe estar desconectada de la alimentación eléctrica para retirar la batería.
- La batería debe desecharse de manera segura y de acuerdo con las ordenanzas o regulaciones locales.

NOTA: Un mantenimiento incorrecto puede reducir la vida útil de la batería y afectar a su capacidad.

ELIMINACIÓN DE LA BATERÍA

Su aspiradora de piscina está equipada con un paquete de baterías de iones de litio recargable que no requiere mantenimiento y que debe ser desechado correctamente. Su reciclaje es obligatorio; contacte con su autoridad local para obtener más información.

¡ATENCIÓN!

Nunca debe intentar desmontar un paquete de baterías.

- Retire todos los objetos personales, como anillos, pulseras, collares y relojes, cuando el paquete de baterías esté desconectado de la aspiradora de piscina.
- Una batería puede generar una corriente de cortocircuito lo suficientemente

elevada como para soldar un anillo (u objeto similar) al metal, causando graves quemaduras.

- Al retirar el paquete de baterías debe llevar gafas protectoras, guantes y ropa protectora.
- Evite tocar los cables y que éstos entren en contacto con cualquier objeto metálico, lo cual podría causar chispas y/o un cortocircuito en la batería.
- No fume ni permita la presencia de chispas o llamas cerca de la batería ni de la aspiradora de piscina.
- No exponga la batería al fuego o a calor intenso, ya que se podría producir una explosión.

¡PRECAUCIÓN!

Si se produce una fuga, evite entrar en contacto con los líquidos y coloque la batería dañada en una bolsa de plástico.

- Si los líquidos de la fuga entran en contacto con piel o ropa, lávese inmediatamente con mucha agua y jabón.
- Si los líquidos de la fuga entran en contacto con sus ojos, no los frote; láveselos inmediatamente con agua fresca durante un mínimo de 15 minutos sin frotar. Busque atención médica lo antes posible.

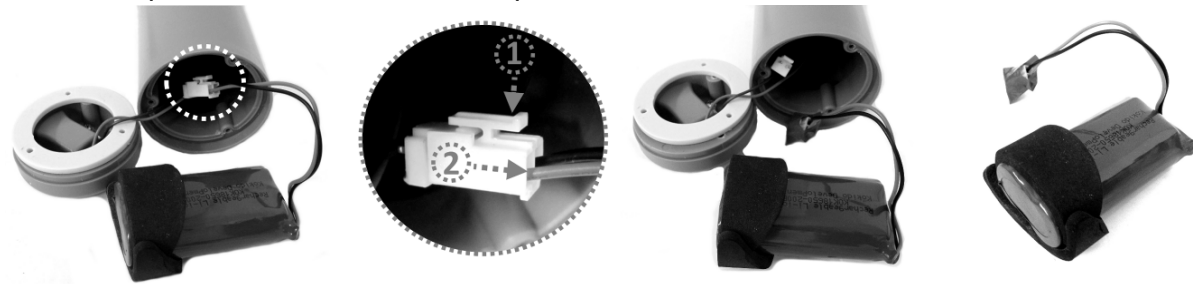
Cómo retirar el paquete de baterías

Herramientas recomendadas (no incluidas): destornillador Philips

1. Use el destornillador para desatornillar 3 tornillos de la placa trasera y sepárela de la carcasa. Saque el paquete de baterías para tener acceso al conector.





2. Para sacar el paquete de baterías, presione el clip del conector y tire de él. NOTA: envuelva inmediatamente el conector con cinta aislante para evitar cortocircuitos causados por el contacto de los dos polos del cable.



RESOLUCIÓN DE PROBLEMAS

Problema	Posible causa	Solución
La aspiradora de piscina no captura los desechos	La batería se está acabando	Vuelva a cargar la batería.
	El propulsor está atascado	Apague la aspiradora de piscina y compruebe visualmente el hueco situado en el centro de la aspiradora para ver si el propulsor está atascado a causa de restos grandes. Si es posible, use una herramienta pequeña para retirar los restos con mucho cuidado. Si es necesario, contacte con su proveedor para obtener más instrucciones. ¡ATENCIÓN! Asegúrese de que la aspiradora de piscina está desconectada antes de manipular la unidad.
	El propulsor está roto	Contacte con su proveedor para sustituir el propulsor.
	El filtro está lleno	Limpie el filtro y el saco del filtro, si fuera necesario.
Los restos se salen del filtro	La solapa de la boquilla de succión está rota	La solapa de la boquilla de succión actúa como una compuerta, evitando que los restos salgan del filtro. Contacte con su proveedor para sustituir piezas y recibir instrucciones.
Los restos caen fuera de la bolsa filtrante	La bolsa filtrante está dañada.	Sustitúyala por una nueva bolsa filtrante.
El mango / conector de la pérgola no se puede fijar al conjunto.	El pasador lateral está roto	Sustitúyalo por un nuevo mango / conector de pérgola.
La aspiradora de piscina no se puede cargar / recargar	La batería está dañada	Contacte con su proveedor para sustituir la batería. ¡ATENCIÓN! NO abra la aspiradora de piscina ni sustituya la batería por sí mismo. Podría sufrir heridas graves o fatales y la garantía quedaría anulada.
	Las placas de contacto de la base de carga y la unidad no están conectadas.	Asegúrese de que la base de carga está montada en la unidad de manera correcta, de modo que sus placas de contacto se toquen.
	El adaptador externo no funciona	Contacte con su proveedor para la sustitución. ¡ATENCIÓN! Si usa un adaptador externo incorrecto podría dañar la aspiradora de piscina / la batería, por lo que la garantía quedaría anulada.
La aspiradora de piscina no se mueve con suavidad	La rueda de bola está atascada	Saque la rueda de bola de la cavidad insertando una herramienta en el pequeño orificio situado en la parte superior de la cavidad. Límpiela y vuélvala a meter en la cavidad.

Programas medioambientales, Directiva Europea WEEE

	Respete las regulaciones de la Unión Europea y ayúdenos a proteger el medio ambiente. Devuelva los equipos eléctricos desechados al punto indicado por su municipio, en el que se recicle correctamente el equipo eléctrico y electrónico. No lo deposite en contenedores de basura sin separar. En el caso de objetos que incluyan pilas, sáquelas antes de depositar el producto.
	© 2017 Kokido Development Ltd. 17008021 Todos los derechos reservados. Queda prohibida la reproducción o transmisión parcial o total de este documento de ninguna forma y por ningún medio electrónico, mecánico, en fotocopia, grabación u otros, sin la autorización previa por escrito de Kokido Development, Ltd. (V1).

Si necesita una copia digital de este manual de instrucciones, contacte con nuestro servicio de Atención al Cliente por correo electrónico: customerservice@kokido.com



Ⓒ We reserve the right to change all or part of the features of the articles or contents of this document, without prior notice.

Ⓕ Nous nous réservons le droit de modifier totalement ou en partie les caractéristiques de l'article ou le contenu de ce document sans information préalable.

Ⓔ Nos reservamos el derecho de cambiar todo o parte de los contenidos de este manual sin información previa.